





inside zone of the sensor



inside of the sensor



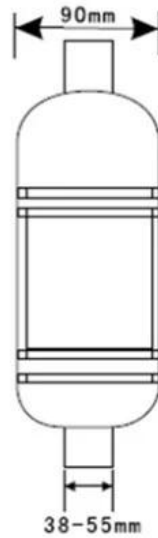
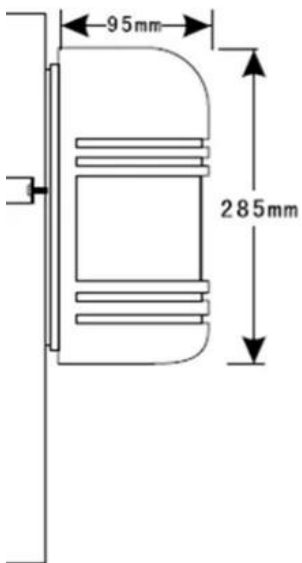
3 beams sensor



pairs of the sensor

## ● Dimesion Picture

SMOT

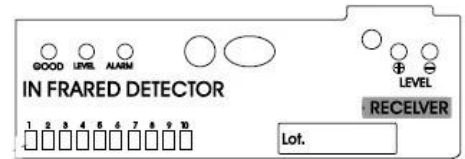
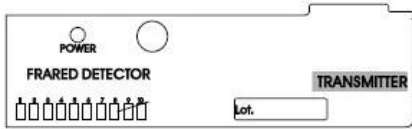
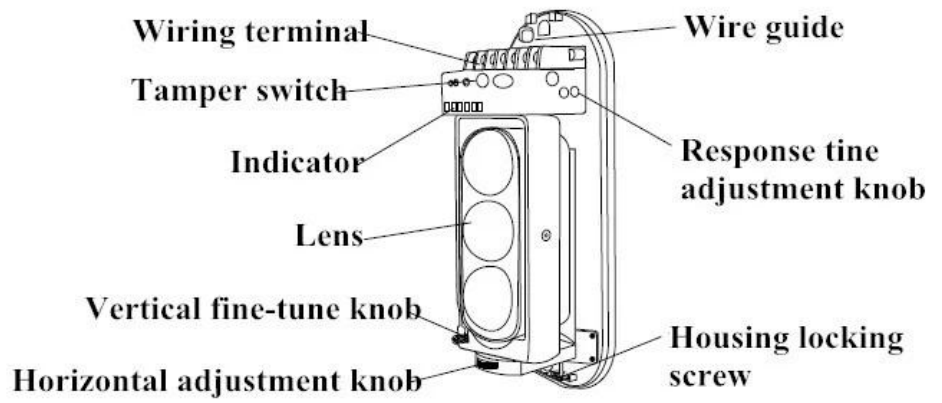
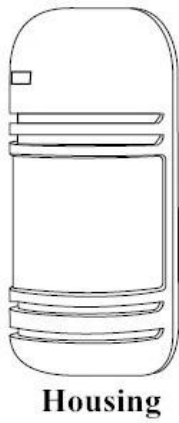




**Optional Bracket Accessories: T Bracket**

T-200      T-100  
200×120mm    100×120mm





● Office



● Exhibitions



2011 Brazil Fair



2012 Shenyang Fair



2013 Jinan Fair



2013 Shenzhen Fair



.....



2012 Shenyang Fair



2013 Shenyang Fair



2013 Shenzhen Fair



2015 Shenzhen Fair