

## ● Parameter

SMQT

尺寸	90L * 65W * 25.5H
电压	DC9V
接口	EIA / TIA RS-232C / RS-485 / RS-422
接口	RS-232C DB9 / RS-422 / RS-485 DB9
速率	300-115.2KBPS
接口	TXD RXD
接口	
接口	RS-232 ±15KVESD / RS-422 / RS-485 600W
电压	3500VRMS
电压	500VDC
接口	5 95
温度	0°C ~ 50°C

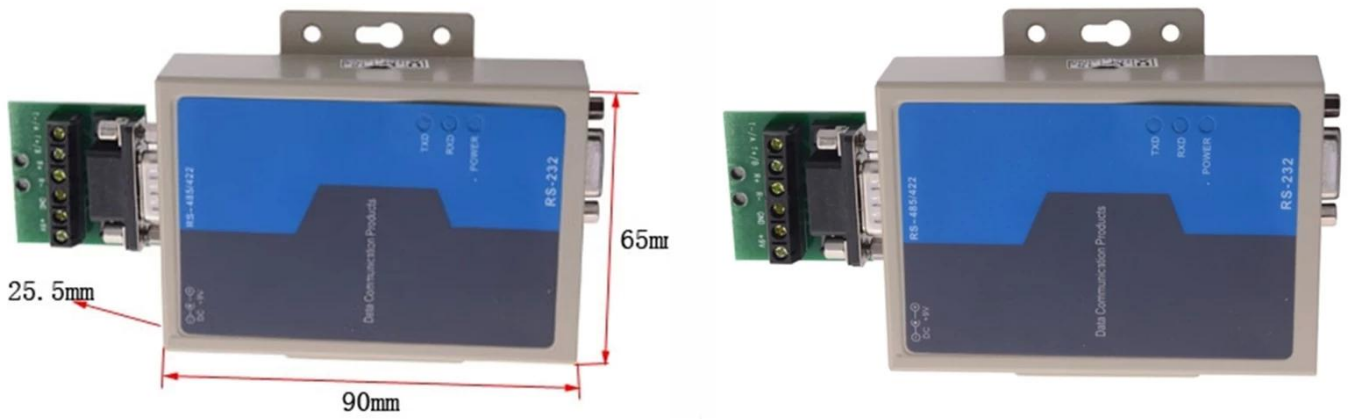
## ● Features

SMQT

1. RS-232 / RS-485 TIA / EIA
2. / RTS
3. 115.2Kbps ~ 300M  
38.4KBPS ~ 2.4KM  
9600BPS ~ 5
4. 32 / RS-485 / RS-422
- 5.
6. RS-485 / RS-422
7. 2.5KVRMS / 500VDC / RS-485/422 600W
8. RS-232C DB25 / RS-485/422 RJ-11
- 9.
10. 75mmX55mmX18mm
11. -25°C ~ 70°C 5 95
12. 9VDC / 200
- 13.
14. DOS / WIN95 / WIN98 / WIN2000 / NT / XP / VISTA / Linux

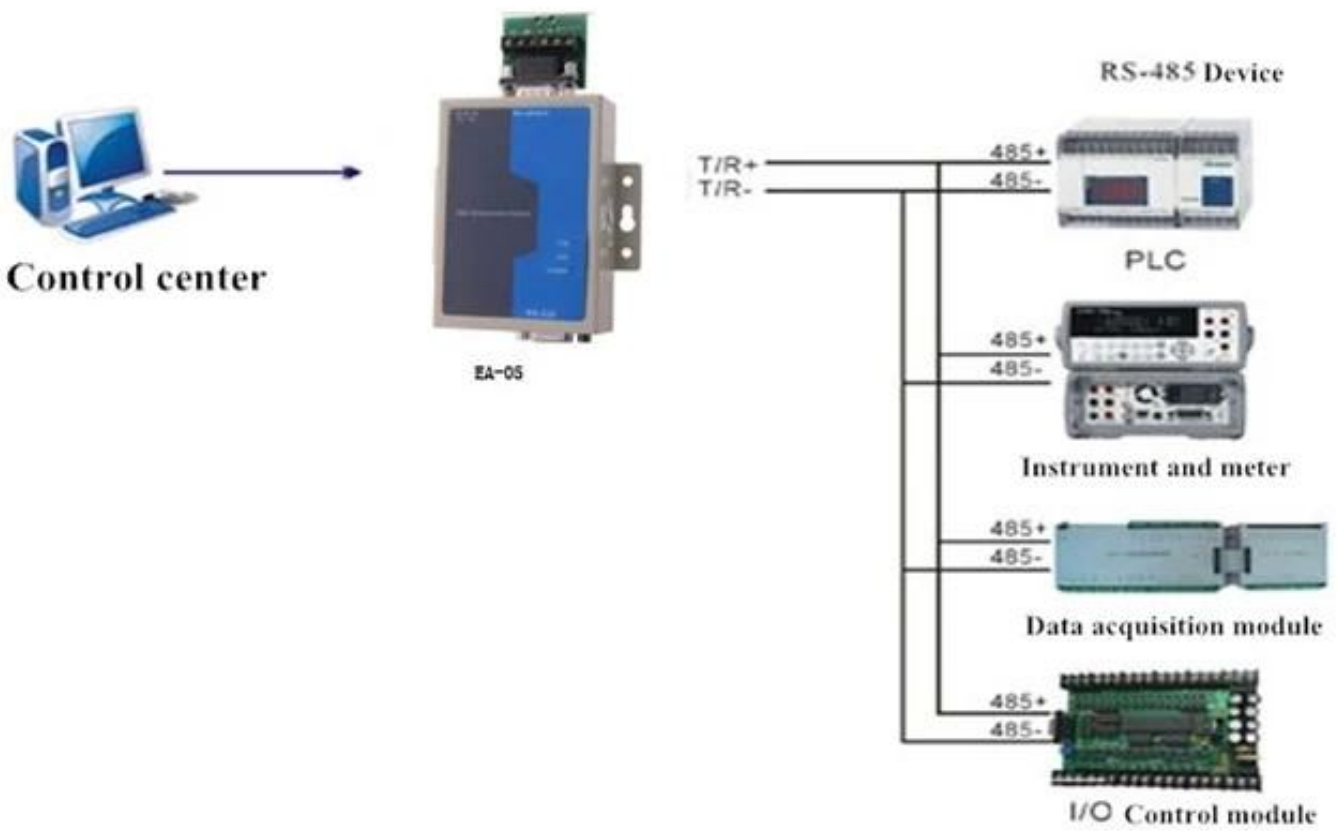
## ● Dimesion Picture

SMQT



## ● Installations

**SMOT**



## ● Packing list

**SMOT**



□□□□	
□□	20□/ □
□□□□	42.8 * 36.6* 29.8□□□□
□□□□	13.22□□

## ● Office

**SMQT**



## ● Exhibitions

**SMQT**

2011 Brazil Fair



2012 Shenyang Fair



2013 Jinan Fair



2013 Shenzhen Fair



.....



2012 Shenyang Fair



2013 Shenyang Fair



2013 Shenzhen Fair



2015 Shenzhen Fair