

RS485 OLED

SMQT®

New

Access control & Alarm product supplier





Main parameter

Power supply	DC 9-15V
Power consumption	< 1 W
Card type	13.56 MHz / 125 KHz (Optional)
Read range	5-8cm
Capacity of records	10000
Number of users	10000
Communication port	RS485
Transmit Rate	9600 bps (N, 8, 1)
LED Tips	Card flashing/keypad/doorbell
Data storage	4M bits FLASH Memory
Certification	Card flashing/ Card flashing+password/ User ID+password/ Public password
Clock	Yes
Reading tips	Beeper/OLED/LED
Dimension	96×96×22(mm)
Material	PC+ABS Screen: PMMA
Environment	-30℃to+65℃

EA-82DK□□□□□

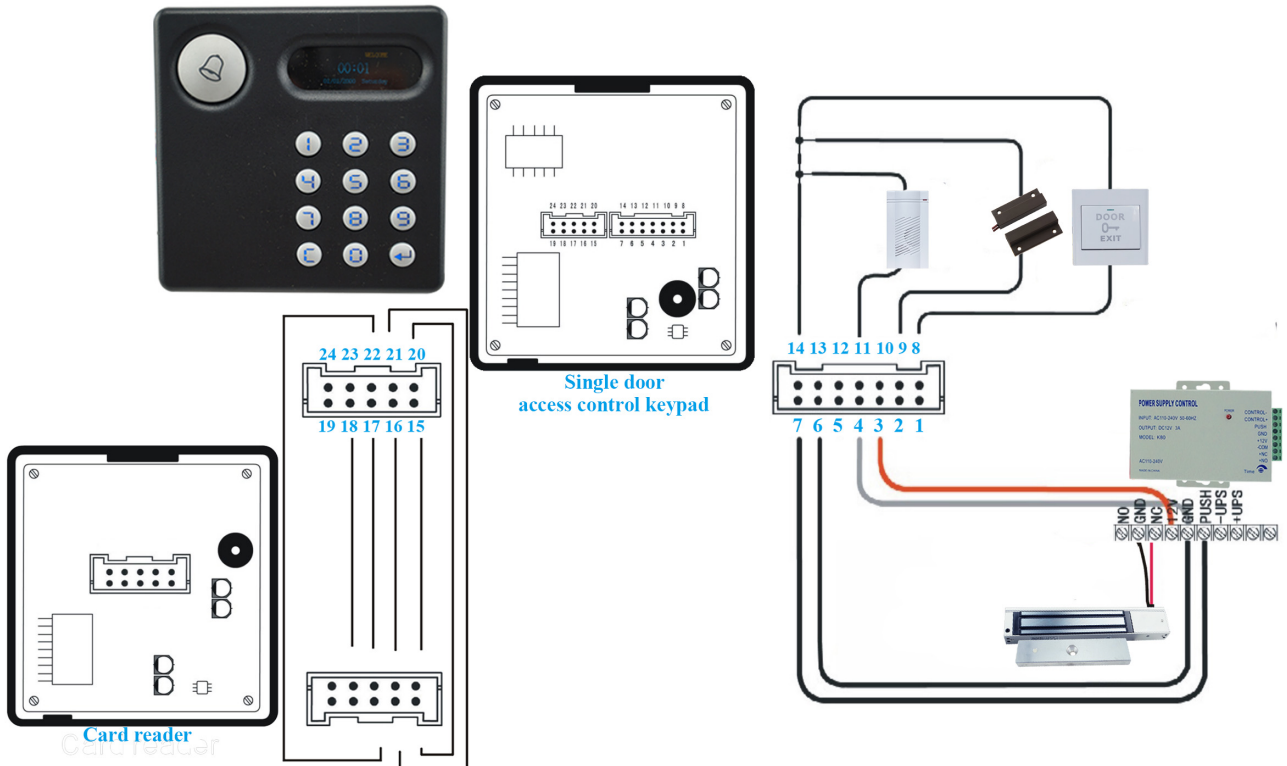
□□□□□	□R485□□□□□□OLED□□□□□□□□□□
□□□	EA-83DK

電源電圧	9V 15V DC
消費電力	<1W
寸法	96×96×22mm
容量	10000mAh
RFID規格	ID 125KHz
表示色	3色5段
接続規格	標準規格WG対応
材質	ABS
重量	約10g
筐体	ABS+PCB+OLED+PMMA
表示サイズ	240mm
表示内容	電圧表示 10000mAh 37%
動作温度	-35°C~65°C
動作湿度	20%~80%
寿命	1年
OEM	OEM

Appearance

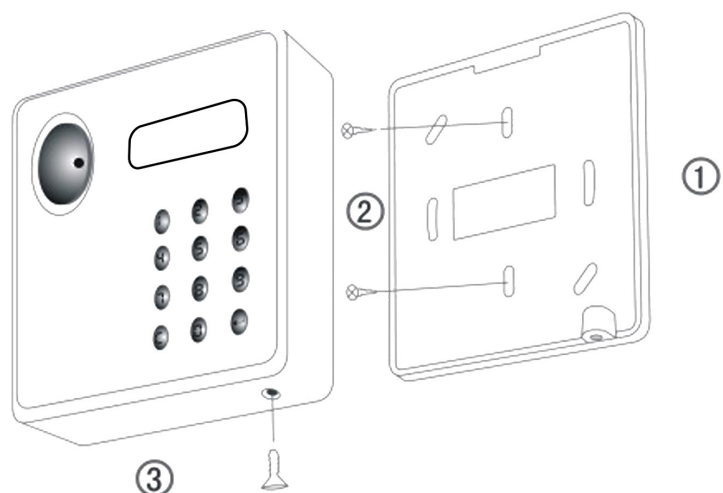
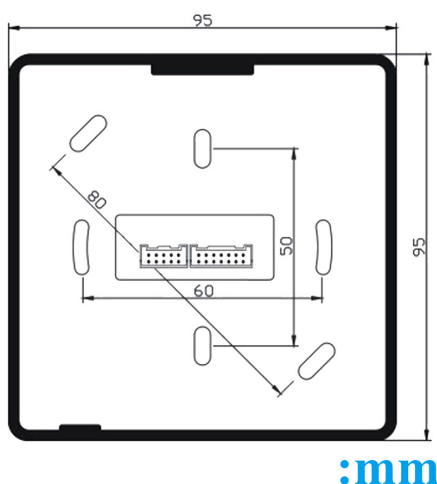


Wiring diagram



Wire port specification		
NO	Function	Description
1	RS485+	Data +
2	RS485-	Data -
3	12V+	DC Power 12V
4	GND	GND
5	OUT-NC	Door relay NC interface
6	OUT-COM.	Door relay COM interface
7	OUT-NO.	Door relay NO interface
8*	IN 1	Input 1, door release button input
9*	IN 2	Input 2, door magnet signal input
10*	IN 3	Input 3, user-defined
11	OC OUT	Build-in doorbell signal output
12*	OUT 2	OC signal, duress output
13*	OUT 3	OC signal, anti-tamper output
14	GND	GND
15	OUT 12V+	Power output, can be connected to WG reader power +
16	GND	Power output, can be connected to WG reader power GND
17	DATA 0	WG Data 0 input, connect reader Data 0
18	DATA 1	WG Data 1 input, connect reader Data 1
19	GND	GND
20	OC1-OUT	Unregistered card output, OC signal output for 3s after card flashing to open the door, can connect Green LED end of WG reader.
21	OC2-OUT	Unregistered card output, OC signal output for 3s after card flashing but not to open the door, can connect Red LED end of WG reader.
22	OC3-OUT	Unregistered card output, OC signal output for 3 times after card flashing to open the door, each interval time is 100ms, can connect Beeper end of WG reader.
23	NULL	N/A
24	ANTI-TAMPER-IN	Anti-tamper signal input, connect anti-tamper output signal of WG reader

Installation





SMQT
铭汗科技



SMQT
铭汗科技



SMQT
铭汗科技



SMQT
铭汗科技



SMQT
铭汗科技



SMQT
铭汗科技



SMQT
铭汗科技



SMQT
铭汗科技



SMQT
铭汗科技

