

• *Parameter*

SMQT®

□□□□	□□□□□□
□□	EA-37A
□□	180L * 80W * 60H□mm□
□□□□	DC12V
□□□□	□3A
□□□□	12V / GND / PUSH / NO / GND / NC / + PUSH / GND
□□□□	0-15s
□□□□	□□□□□□□□□□□□□□□□
□□□□	□□□□□□□□
□□	□□□□□□□□□□□□□□□□□□
□□□	□□

• *Introduction*

SMQT®



□□□□□□□□□□□□□□□□□□□□

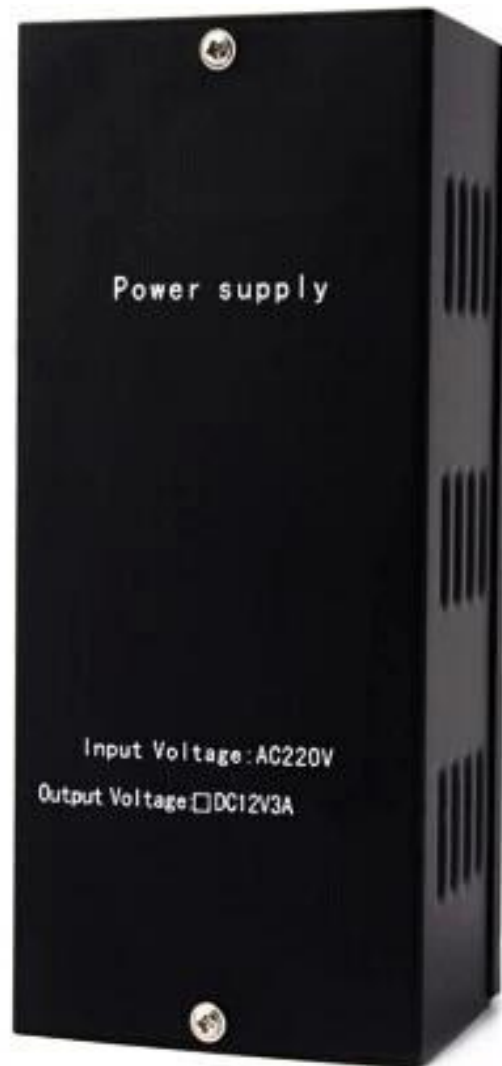
• Dimension

SMQT



• Feature

SMQT



Access control uninterruptured switch power supply

AC 220V input voltage

DC 12V,3A output

0~15s time delay(adjustable)

Pure black color,double face PC board,

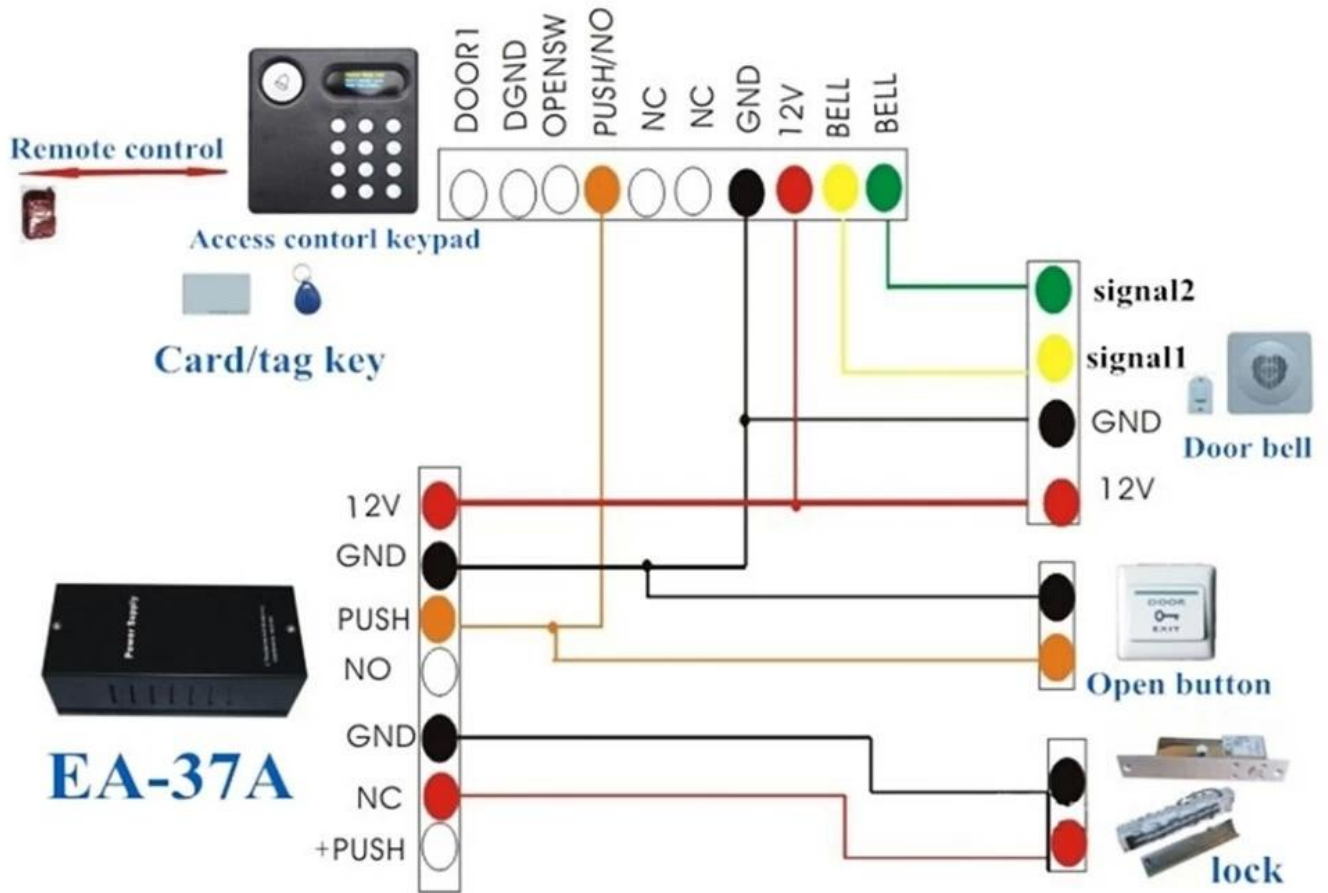
pure copper transformer

Remote control function is optional

Suitable for access control system,

door phone system

Two years warranty welcome OEM



• *Packaging & shipping*



● *Office show*

SMQT®



● *Exhibition*

SMQT®

2011 Brazil Fair



2012 Shenyang Fair



2013 Jinan Fair



2013 Shenzhen Fair



.....



2012 Shenyang Fair



2013 Shenyang Fair



2013 Shenzhen Fair



2015 Shenzhen Fair