

NEW

PRODUCT THE ARRIVAL OF THE GOODS



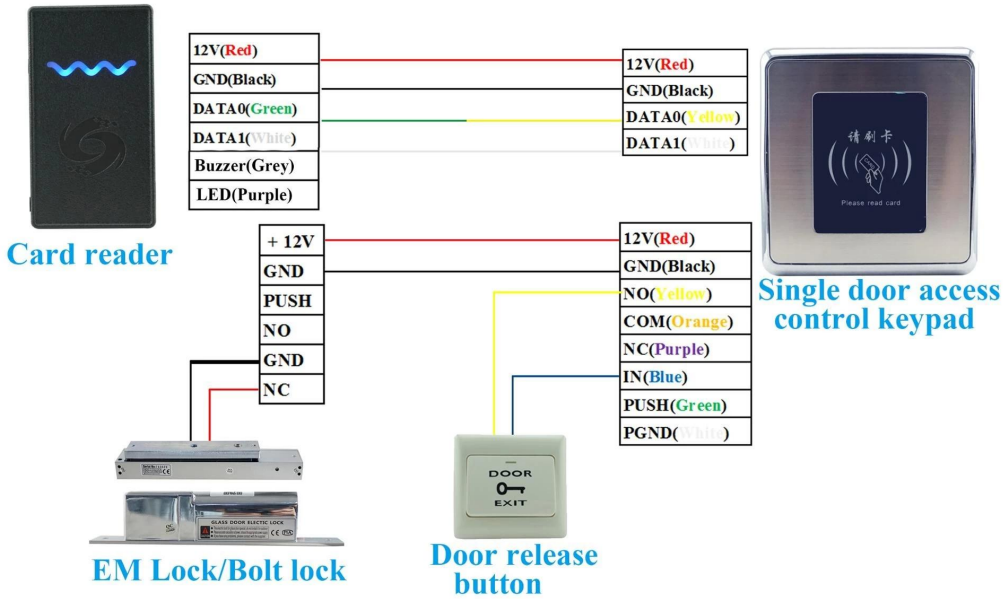
SMQT

<https://eis.en.alibaba.com/>

THE INTERNATIONAL WEBSITE | ▲

□□□□	IC□□□□□□□□13.56Mhz□□
□□□	EA-63
□□□	85□□*45□□*18□□
□□□□□	IC□13.56MHz□/ ID□125KHz□□□□
□□□	WG 26 / WG34□□□□
□□□□□	3□7□□
□□□□□	12VDC
□□□	-25□70degree
□□□□□	<60□□
□□□	PC□□+ PCB□
OEM□	□□OEM□□□□□□□□□□
□□□	□□
□□□	50□

□□□□□□□□□□□□



Where to use it?



This type card reader suitable for all kinds of access control system project for :
Office, Hotel, Bank, Apartment, Government building, Laboratory etc.

□□□□

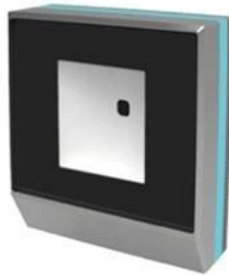


SHOW CASE

SMQT
铭汗科技



SMQT
铭汗科技



SMQT
铭汗科技



SMQT
铭汗科技



SMQT
铭汗科技



SMQT
铭汗科技



SMQT
铭汗科技



SMQT
铭汗科技



SMQT
铭汗科技





□□



□□



