

Access control switch power supply

AC220V input

DC 12V ,5A output

Suitable access control system and doorphone system

SMQT



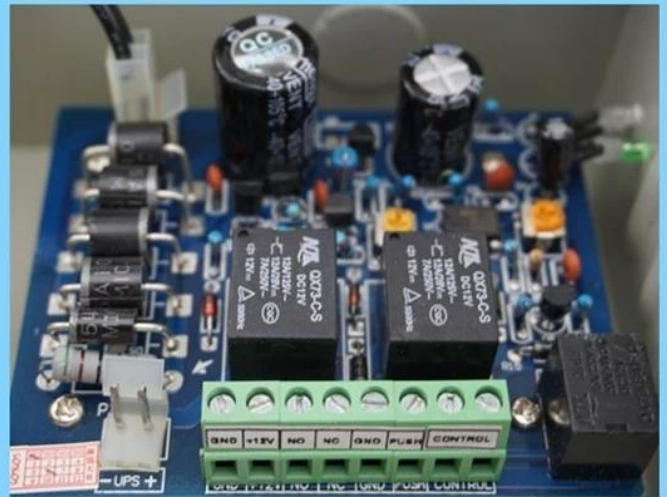
• Parameter

SMQT

parametro	
Pangalan ng Produkto	DC 12V 5A metal box access control switch power supply
modelo	EA-38B
sukat	205 × 165 × 74 (mm)
input boltahe	AC220V
input dalas	50Hz
output boltahe	12V DC
ouput Kasalukuyang	5A
output Power	60W
proteksyon	Built-in output short-circuit proteksyon Anti-intererence
Time relay	0 ~ 15 segundo
espesyal na disenyo	Double mukha PC Board dalisay tanso Transformer metal kabibi
kulay	puti
suit para sa	Access control sysetm at doorphone sistema
Environment temprature	-20 °C ~ 61 °C
net timbang	2.5kg
optionals	malayo control (remote distansya ay 80m in open air) backup baterya (12V 7AH)

• Introduction

SMQT

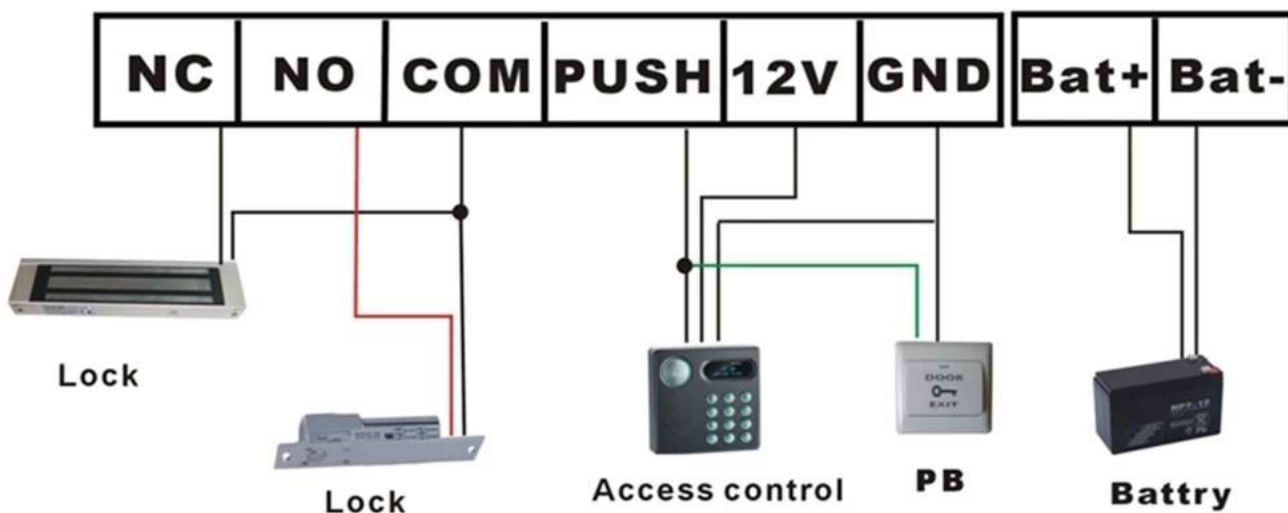


• Feature

SMQT



Access control switch power supply
AC 220V input,DC 12V 5A output
0~15s time relay
Double face PC board,
pure copper transformer,steel shell
Short circuit protection Anti-interference
Suitabel for access control system,
Doorphone system
Remote control function and
backup battery optional
2 years warranty, welcome OEM



listahan packaging	
Pangalan ng Produkto	EA-38B DC 12V 5A metal box access control switch power supply
Dami	10 mga PC ng bawat karton
carton laki	50 * 42 * 27 (cm)
timbang	25kg



WE LOGISTICS



• Office show

SMQT



• Exhibition

SMQT

2011 Brazil Fair



2012 Shenyang Fair



2013 Jinan Fair



2013 Shenzhen Fair



.....



2012 Shenyang Fair



2013 Shenyang Fair



2013 Shenzhen Fair



2015 Shenzhen Fair