

• *Parameter*

SMQT

operating Boltahe	CD12V
Electric lock output	3A
namamahinga Kasalukuyang	30mA
Alarm output	20A
Pagbabasa distance	ID 5-8cm IC 3-6cm
Output proteksyon oras short circuit	100us
Ang pag-iimbak user	2000
oras ng pagbubukas	0-99s adjustable
Ambient temperatura	-45 °C ~ 60 °C
Mga Dimensyon	120L * 58W * 18H

• *Introduction*

SMQT



New exterior design, Mercedes-Benz estilo, luxury, kapaligiran, matatag at ligtas.

Metal shell, hindi tinatagusan ng tubig anti-mapanira disenyo.

PC plastic selyadong, ganap na selyadong hindi tinatagusan ng tubig disenyo.

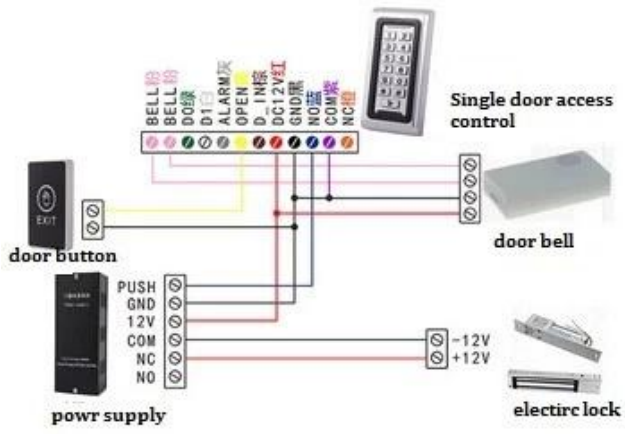
Protection Rating ng IP68.

Key backlight, madaling gamitin.



• *Installation*

SMQT



• *Feature*

SMQT



Single door access control keypad

Working voltage 12V DC

Card capacity 2000 pcs

IC(13.56Mhz)/ID(125Khz) card type optional

Waterproof, suitable for outdoor

Button with LED back light

Ang pinto access control system sa wiegant card reader at digital access control keypad, door access push button, power supply, rfid card.

• *Packaging & shipping*

SMQT





• Office show

SMQT®



• Exhibition

SMQT®

2011 Brazil Fair



2012 Shenyang Fair



2013 Jinan Fair



2013 Shenzhen Fair



2012 Shenyang Fair



2013 Shenyang Fair



2013 Shenzhen Fair



2015 Shenzhen Fair



.....