

Access control switch power supply

AC220V input

DC 12V ,5A output

Suitable access control system and doorphone system

SMQT



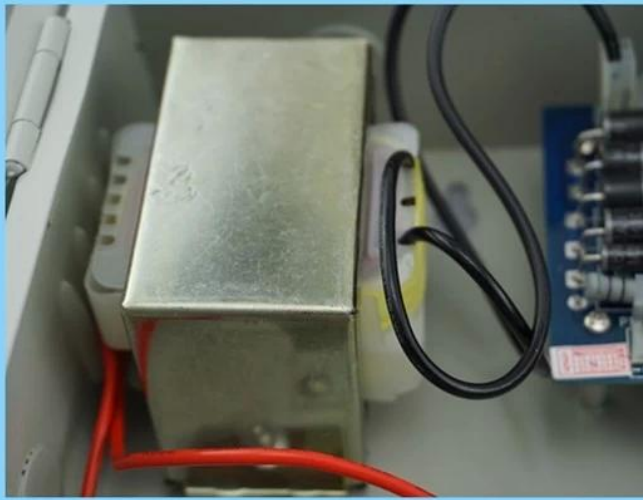
• Parameter

SMQT

Parameter	
Product name	DC 12V 5A metal box access control switch power supply
Model	EA-38B
Dimension	205×165×74(mm)
Input voltage	AC220V
Input frequency	50Hz
Output voltage	12V DC
Output Current	5A
Output Power	60W
Protection	Built-in output short-circuit protection Anti-intererence
Time relay	0~15 seconds
Special design	Double face PC Board Pure copper Transformer Metal shell
Color	White
Suit for	Access control sysetm and doorphone system
Environment temprature	-20 °C~61 °C
Net weight	2.5kg
Optionals	Remote control(remote distance is 80m in open air) Backup battery(12V 7ah)

• Introduction

SMQT

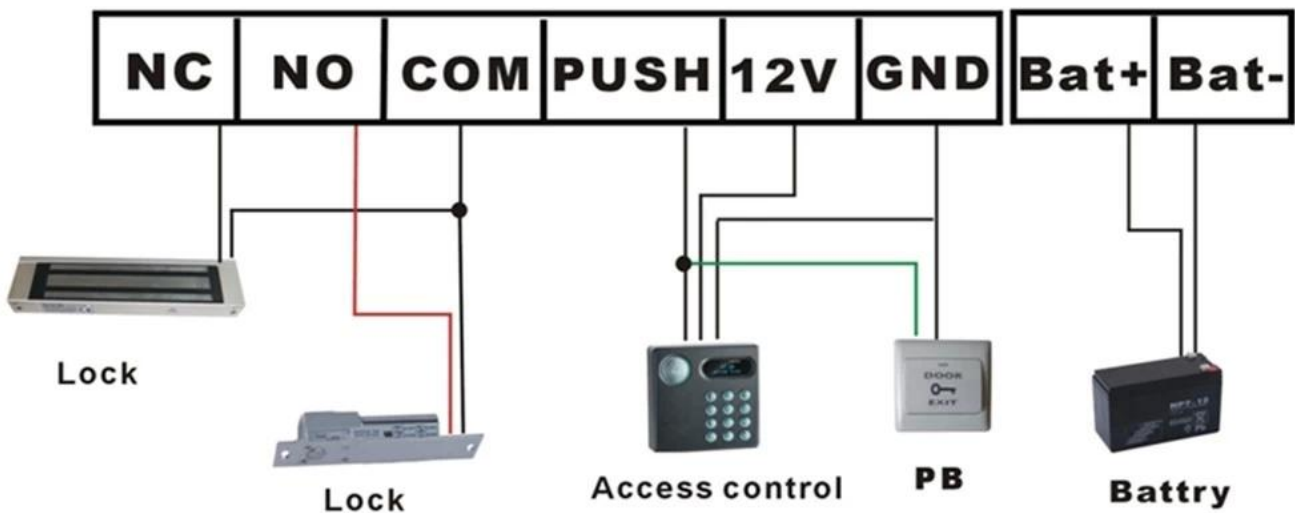


• Feature

SMQT®



Access control switch power supply
AC 220V input,DC 12V 5A output
0~15s time relay
Double face PC board,
pure copper transformer,steel shell
Short circuit protection Anti-interference
Suitabel for access control system,
Doorphone system
Remote control function and
backup battery optional
2 years warranty, welcome OEM



Packaging list	
Product name	EA-38B DC 12V 5A metal box access control switch power supply
Qty	10 pcs per carton
Carton size	50*42*27(cm)
Weight	25kg



WE LOGISTICS



• Office show

SMQT



• Exhibition

SMQT

2011 Brazil Fair



2012 Shenyang Fair



2013 Jinan Fair



2013 Shenzhen Fair



.....



2012 Shenyang Fair



2013 Shenyang Fair



2013 Shenzhen Fair



2015 Shenzhen Fair