

● Parameter

SMQT

Dimension	35.3L*28W* 6.4H (mm)
Coil chips	TK4100
Frequency	125KHz
Sensing distance	2cm ~ 8cm
Materials	ABS
Optional color	Yellow, gray, purple, blue, black and red

● Introduction

SMQT

ABS shell and fill epoxy encapsulated chip coil, and combine of ultrasonic welding shaped cards with various shapes.

Silk screen icon, marking; waterproof, dustproof, anti-vibration.

Working temperature is $-30^{\circ}\text{C} \sim +50^{\circ}\text{C}$.

Access attendance lock for induction proximity, door access control and so on.

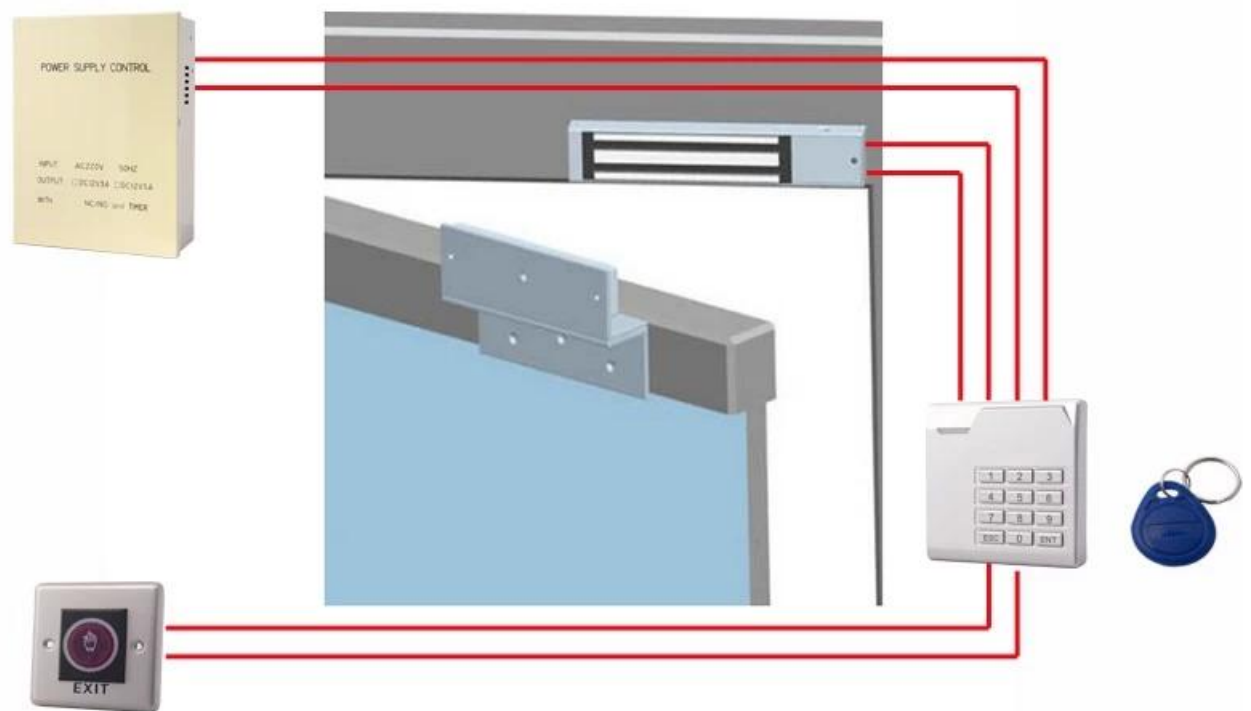
● Dimesion Picture

SMQT



● Installations

SMQT



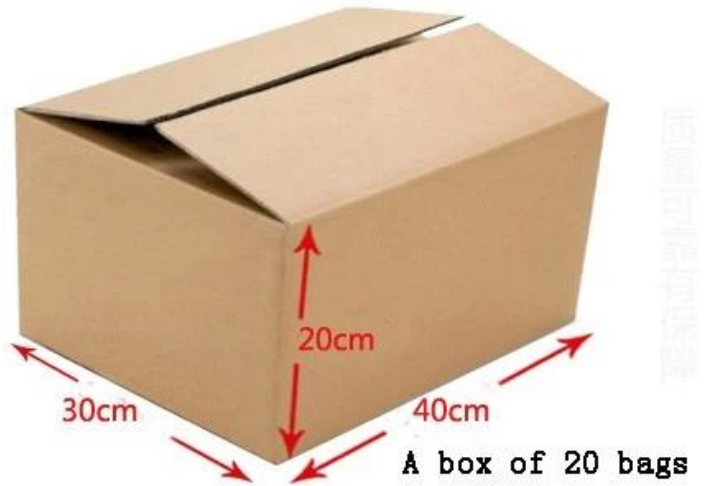
● Features

SMOT



● Packing list

SMOT



品質可靠有保證

QTY	2000pcs/CTN
Carton dimesion	40L*30W*20H(cm)
Net weight	12kg





● Exhibitions

SMQT®

2011 Brazil Fair



2012 Shenyang Fair



2013 Jinan Fair



2013 Shenzhen Fair



2012 Shenyang Fair



2013 Shenyang Fair



2013 Shenzhen Fair



2015 Shenzhen Fair

