

## ● Parameter

**SMQT**

Product Parameter	Parameter Description
Dimension of main body	226Lx44.5Wx72H (mm)
Width of doormax	1200mm
Weight of door max	80-100kg
Ack-check Function	NO
Max open angle	180
Closing speed adjustment	Spee1:180°-15° ; Speed2:15°-0°
Applicable temperature	-20°C-45°C
Applicability	left open or right open door
Passed durability test	1,000,000 cycles
Weight	2.1kg

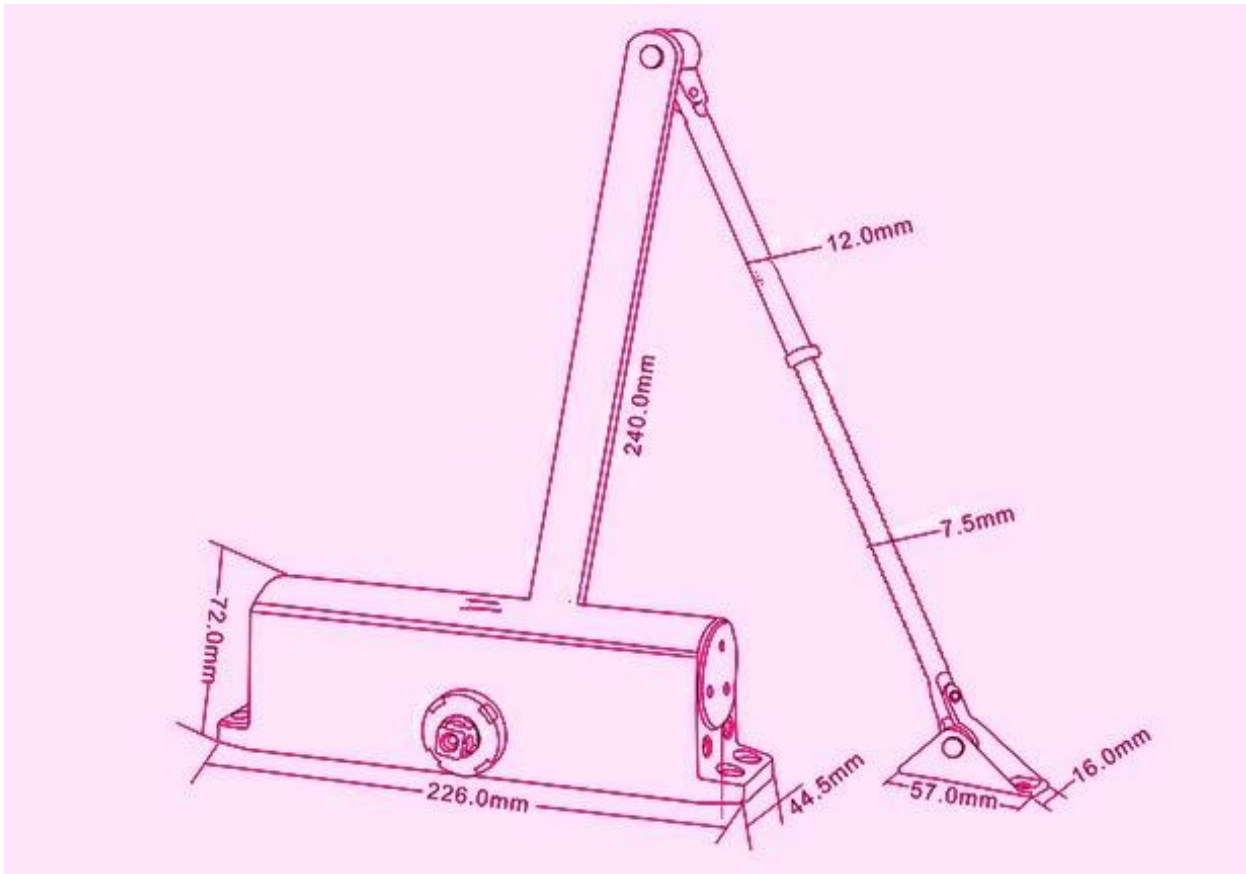
## ● Introduction

**SMQT**

Door closer is installed at the top of the door leaf with single opening, is applicable to wooden door, steel door and fire door. Applicable to single door with the maximum door width of 1200mm and door weight of 80-100kg.

## ● Dimesion Picture

**SMQT**



● Packing list

**SMOT**

QTY/CTN	10
Demision(L*W*H)(cm)	56*34*18
Gross Weight(kg)/CTN	17.0



2011 Brazil Fair



2012 Shenyang Fair



2015 Jinan Fair



2013 Shenzhen Fair



2012 Shenyang Fair



2013 Shenyang Fair



2013 Shenzhen Fair



2015 Shenzhen Fair