

## • *Parameter*

**SMQT**

Operating Voltage	CD12V
Electric lock output	3A
Quiescent Current	30mA
Alarm output	20A
Reading distance	IC 3-6cm ID 5-8cm
Output short circuit protection time	100us
Storing user	2000
Opening hours	0-99s adjustable
Ambient temperature	-45 °C ~ 60 °C
Dimensions	120L * 58W * 18H

## • *Introduction*

**SMQT**



New exterior design, Mercedes-Benz style, luxury, atmosphere, stable and safe.

Metal shell, waterproof anti-smashing design.

PC plastic sealed, fully sealed waterproof design.

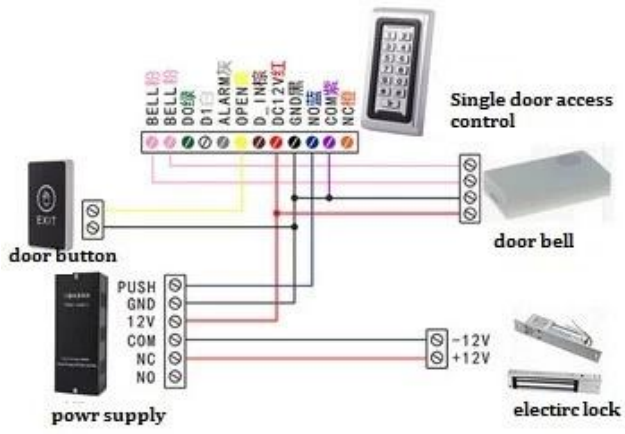
Protection rating of IP68.

Key backlight, easy to use.



• *Installation*

SMQT



• *Feature*

**SMQT**



*Single door access control keypad*

*Working voltage 12V DC*

*Card capacity 2000 pcs*

*IC(13.56Mhz)/ID(125Khz) card type optional*

*Waterproof, suitable for outdoor*

*Button with LED back light*

The door access control system with the wiegant card reader and digital access control keypad,door access push button,power supply,rfid card.

---

• *Packaging & shipping*

**SMQT**





## • Office show

SMQT®



## • Exhibition

SMQT®

2011 Brazil Fair



2012 Shenyang Fair



2013 Jinan Fair



2013 Shenzhen Fair



2012 Shenyang Fair



2013 Shenyang Fair



2013 Shenzhen Fair



2015 Shenzhen Fair



.....