

The single door access controller with the digital back light function. It is the waterproof reader have ID and IC long range rfid reader.

New exterior design, Mercedes-Benz style, luxury, atmosphere, stable and safe. Metal shell, waterproof anti-smashing design. PC plastic sealed, fully sealed waterproof design. Protection rating of IP68. Key backlight, easy to use.

Low power consumption: standby current of less than 30mA.

Backlit Keyboard: Night door more convenient.

Independent Open Code: You can only use a password to open the door.

User Change Password: Users can modify their own password.

Search speed: credit card to open the door in less than 0.1S.

Output short circuit protection: electric lock or alarm output short circuit 100us automatically shut down output.

Wiegand output: with Wiegand output interfaces, and can output Wg26 card number or Wg key number.

Usable keyboard delete card number: After card is lost usable keyboard delete card number, the total elimination of security risks. Tamper alarm: Illegal disassemble built after the alarm buzzer alarm sounds.

Doorbell button interface: buttons and circuit isolation, you can add any doorbell.

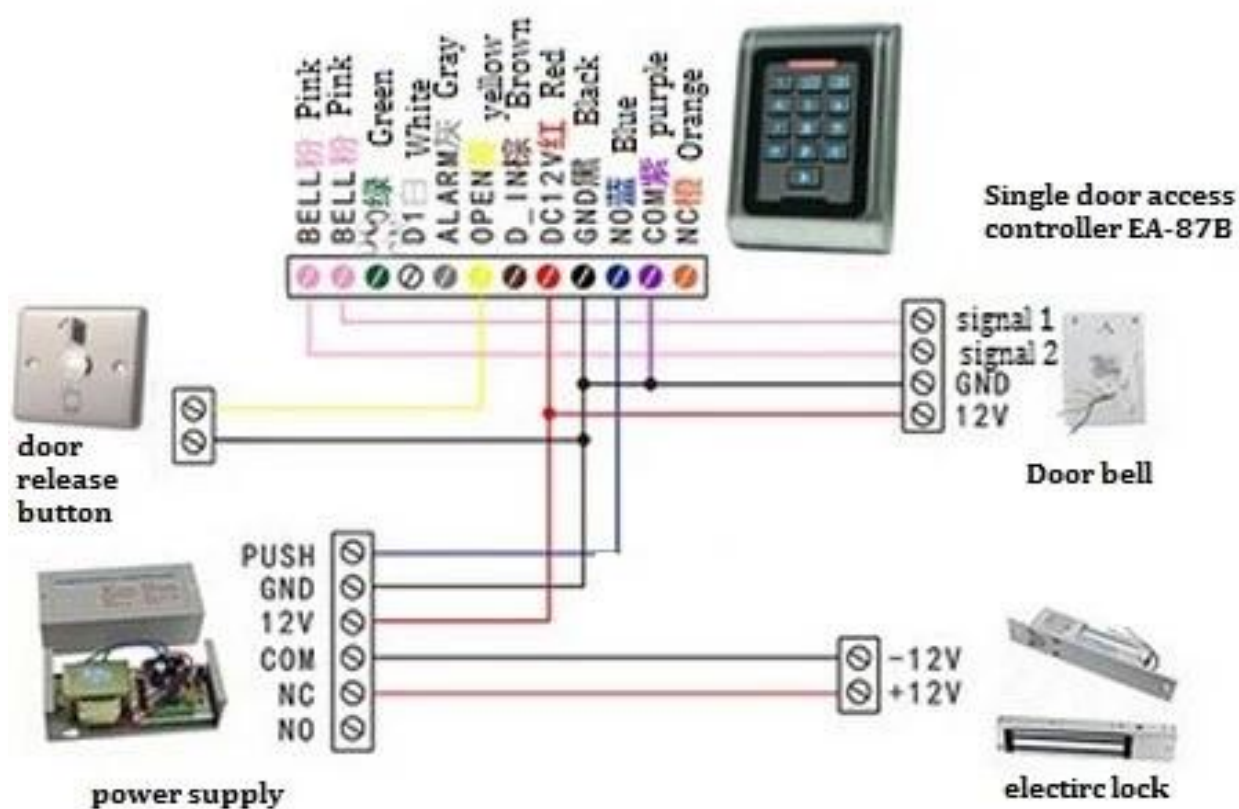
Product Size	120L * 80W * 22H (mm)
Working current	<60mA
Card Capacity	2000
Reading distance	5-8cm 3-6cm ID card IC card
Open delay	0 ~ 99 seconds adjustable
Output contact	Magnetic / Button / door / alarm / tamper
waterproof level	IP68
environment humidity	10% to 90%

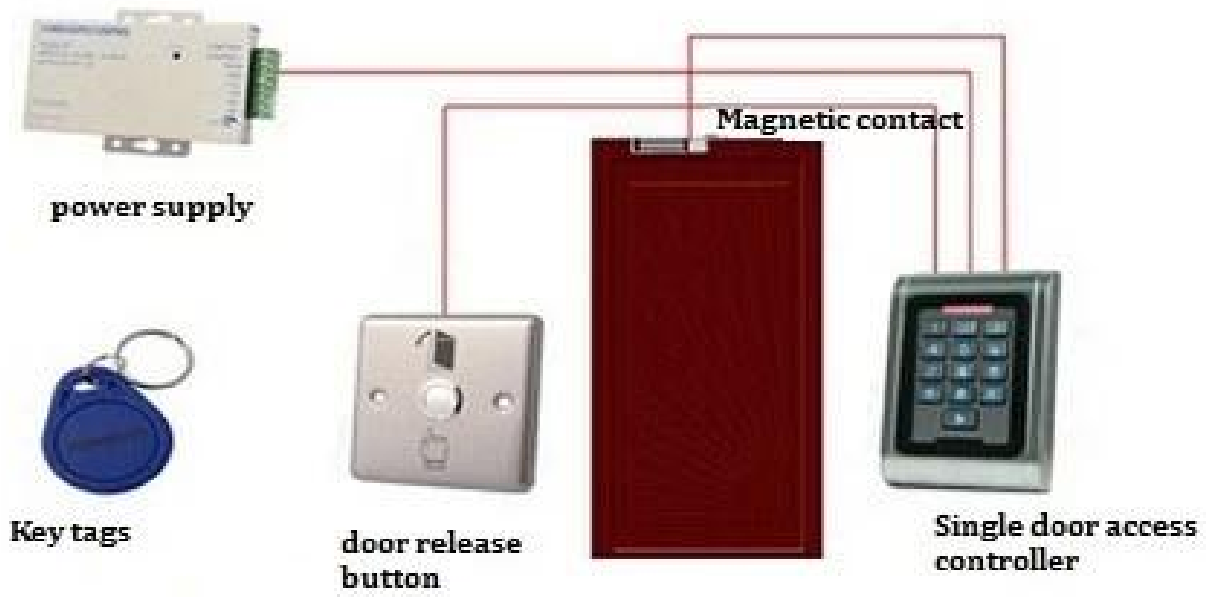


Long:
120mm

Width: 80mm

Hight: 22mm





● Features

SMQT



● Packing list

SMQT



Qty	22 / box
Packing Specifications	52L * 29W * 12H (cm)
Packing weight	12.32kg

● Office

SMQT



● Exhibitions

SMQT

2011 Brazil Fair



2012 Shenyang Fair



2013 Jinan Fair



2013 Shenzhen Fair



2012 Shenyang Fair



2013 Shenyang Fair



2013 Shenzhen Fair



2015 Shenzhen Fair



.....