

Waterproof ID(125Khz) Access Control Card Reader



Below is the parameter information of the Waterproof ID(125Khz) Access Control Card Reader EA-92:

Parameter	
Product name	Waterproof ID(125Khz) Access control card reader
Model	EA-92
Dimension	96×96×22(mm)
Working voltage	12V ± 3VDC
Power consumption	<1w
Card type	125Khz ID EM
Waterproof	IP66
Read range	60mm
Cable distance	150m
Communication mode	WG26/WG34
Transmitting rate	1bit/ms
Keypad output	4bit/8bit
Shell material	PC
Color	Black/White(optional)
Suit for	home/ office
Environment temprature	-30 °C~65 °C
Net weight	0.25kg

1.Appearance design is unique, the shell adopts grind arenaceous processing,

comfortable feel.

2. wear-resisting, use for a long time will not fade; and a door bell button (door bell signal output), appears more fashionable.

3. Wiegand 26/34 Communications, can through the software to convert.

4. Safety performance is high, waterproof function (IP66), with reverse current protection, tamper device, lightning protection.

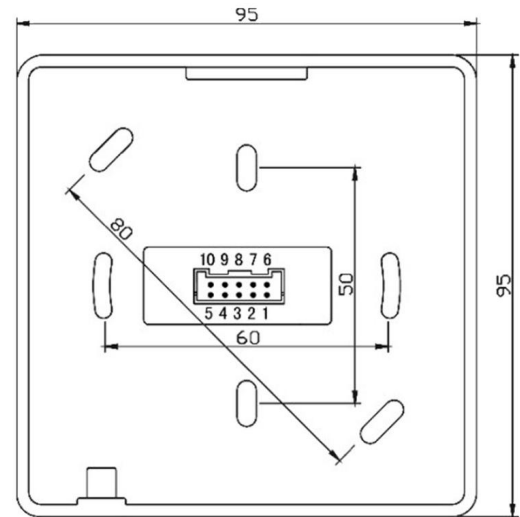
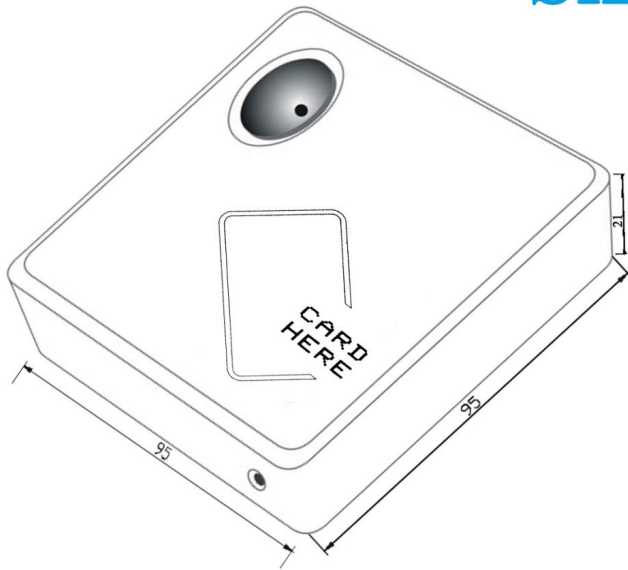
5. Accord with Europe/Asia back box size design installation, easy to connect wire.

What features does EA-92 have?



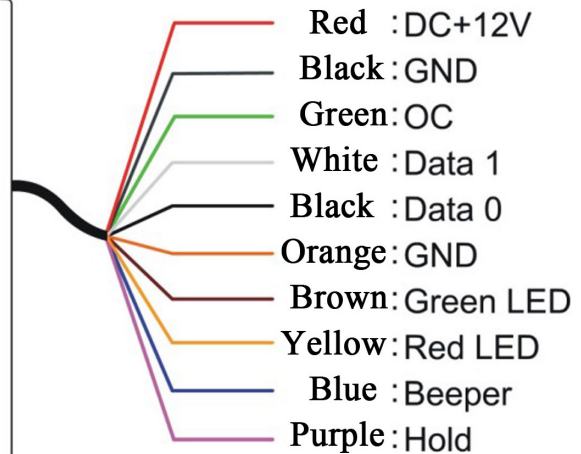
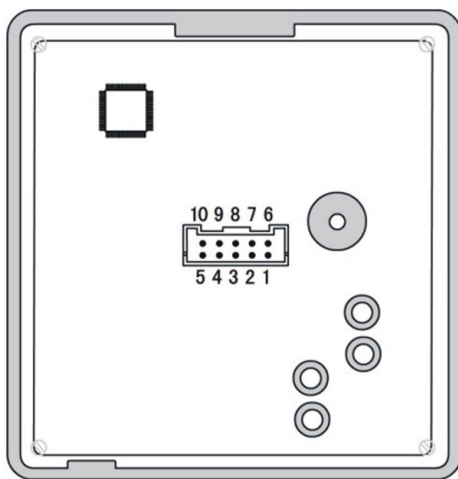
**Waterproof
ID 125Khz frequency
Accept logo print**

Size



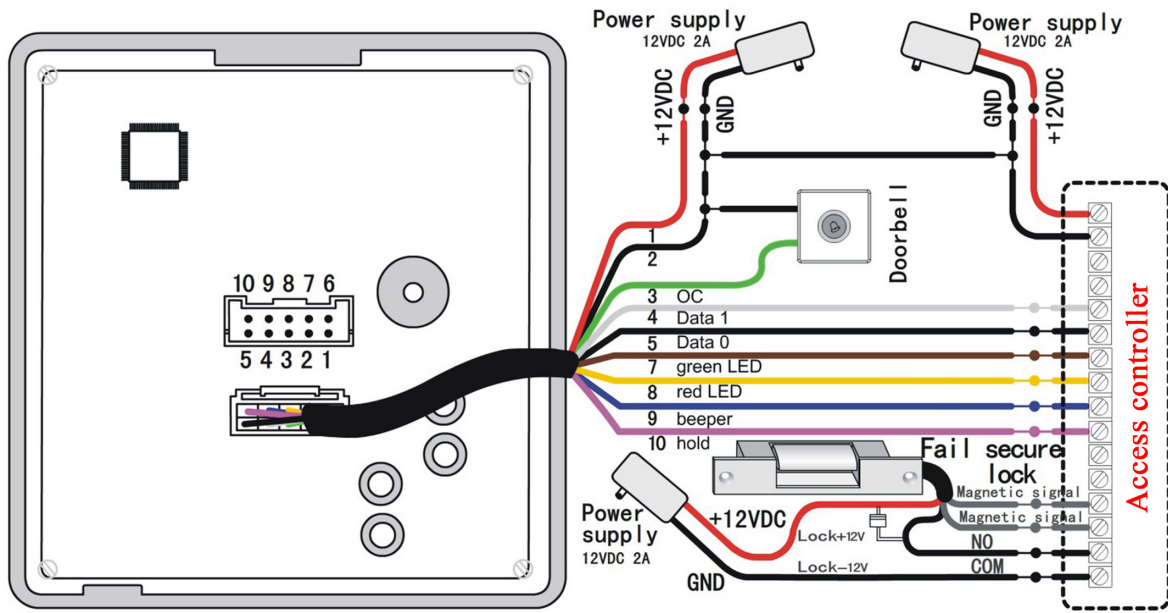
mm

Wire port introduction



NO	Color	Function	Description
1	Red	12V+	DC Power 12V
2	Black	GND	DC Power 0V
3	Green	OC OUT**	OC Out to output doorbell signal or anti-tamper signal
4	White	DATA1	Wiegand DATA1 Output
5	Black	DATA0	Wiegand DATA0 Output
6	Orange	GND	Signal Grounding
7	Brown	Green LED*	Grounding to display 1 st message and green LED lights up
8	Yellow	Red LED*	Grounding to display 2 nd message and red LED lights up
9	Blue	Beeper	Beeper controller, grounding to work
10	Purple	Hold	Card reading controller, grounding to stop therefore reading

Wire diagram



2 years warranty