

● *Parameter*

SMQT

Product name	Access Control Switch Power Supply
Model number	EA-37A
Dimensions	180L * 80W * 60H (mm)
The output voltage	DC12V
Output current	3A
Output contact	12V / GND / PUSH / NO / GND / NC / + PUSH / GND
Delay setting	0-15s
Specially designed	Black color, double-pane glass, copper transformer, steel shell
security function	Short circuit protection, anti-jamming
Scope	Access control, building intercom systems, door button can be accessed
Optional	remote control

● *Introduction*

SMQT



waterproof uninterruptible power supply controller China used with door access control system unit.

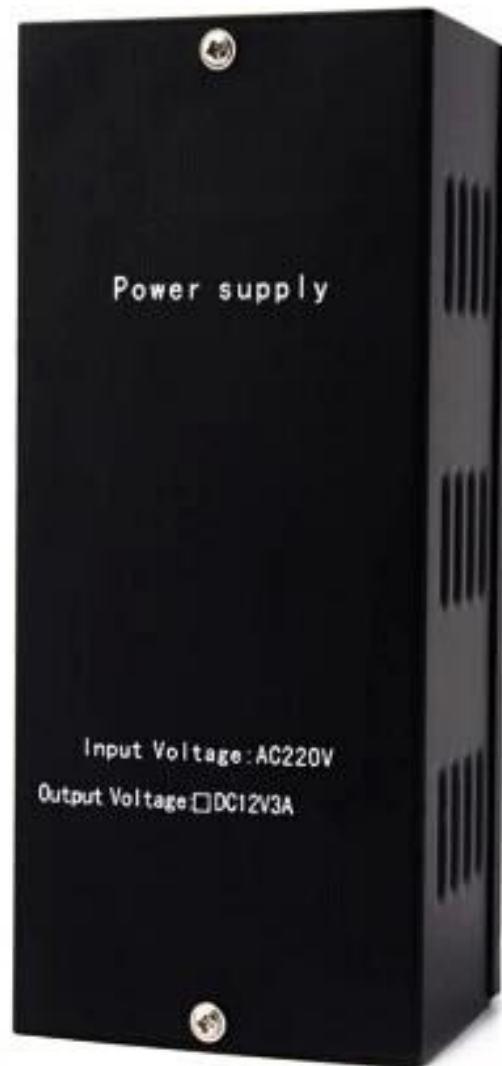
• Dimension

SMQT



• Feature

SMQT



Access control uninterruptured switch power supply

AC 220V input voltage

DC 12V,3A output

0~15s time delay(adjustable)

Pure black color,double face PC board,

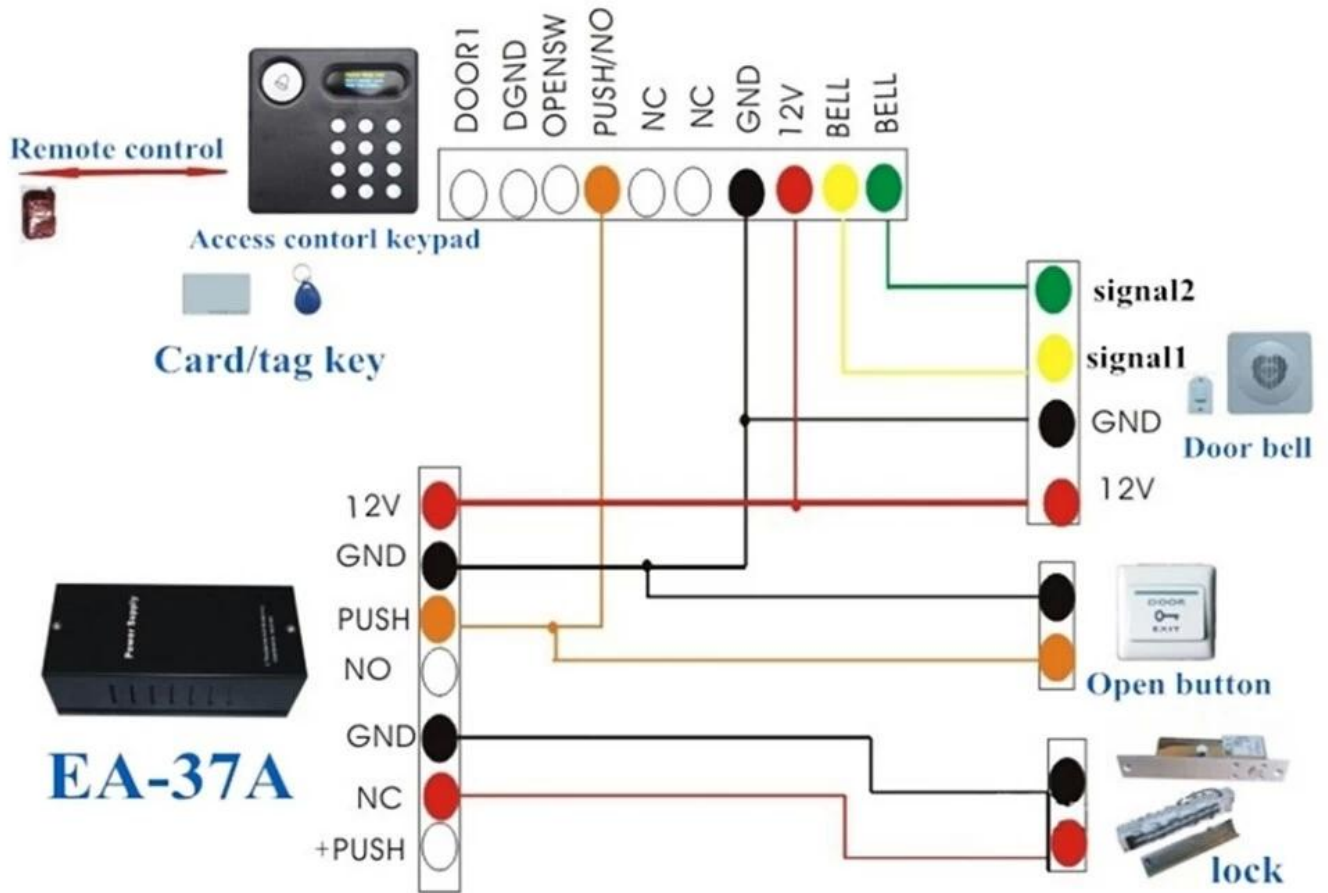
pure copper transformer

Remote control function is optional

Suitable for access control system,

door phone system

Two years warranty welcome OEM



• *Packaging & shipping*

SMQT®



● *Office show*

SMQT®



● *Exhibition*

SMQT®

2011 Brazil Fair



2012 Shenyang Fair



2013 Jinan Fair



2013 Shenzhen Fair



.....



2012 Shenyang Fair



2013 Shenyang Fair



2013 Shenzhen Fair



2015 Shenzhen Fair