

NEW

PRODUCT THE ARRIVAL OF THE GOODS



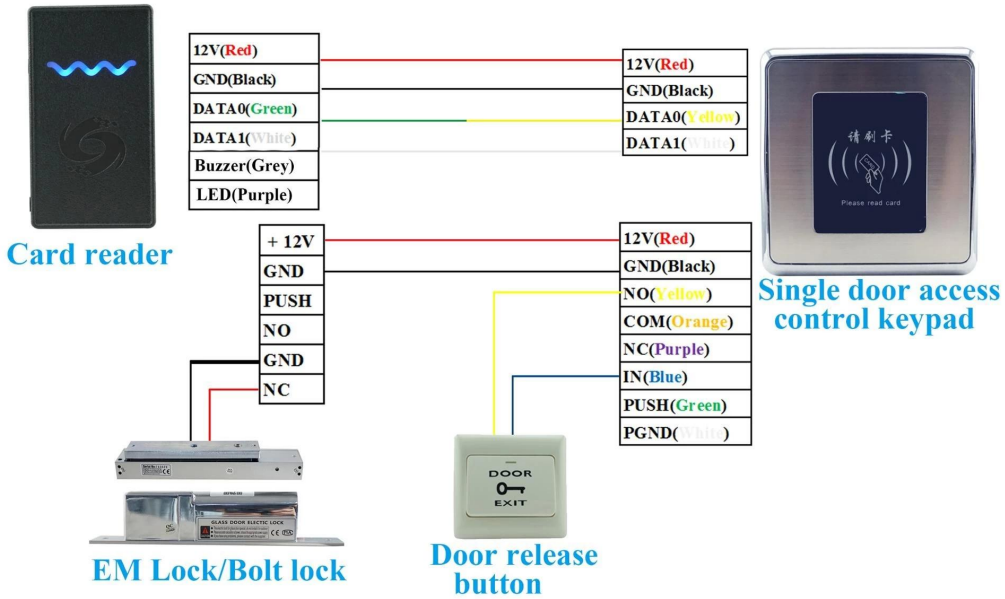
SMQT

<https://eis.en.alibaba.com/>

THE INTERNATIONAL WEBSITE | ▲

Product Name:	Special access control card reader with IC 13.56Mhz frequency
Model:	EA-63
Size:	85mm*45mm*18mm
Card type:	IC(13.56MHz)/ID(125KHz) optional
Communication:	WG 26/WG34(optional)
Reading distance:	3~7cm
Operate Voltage:	12VDC
Temperature:	-25~70degree
Operate Current:	<60mA
Material:	PC housing+PCB board
OEM:	Welcome OEM and order sample for test
Color:	Black
Weight:	50g

What Features of our card reader?



Where to use it?



This type card reader suitable for all kinds of access control system project for :
Office, Hotel, Bank, Apartment, Government building, Laboratory etc.

IN-KIND SHOOTING



SHOW CASE



OFFICE SHOW



CUSTOMER



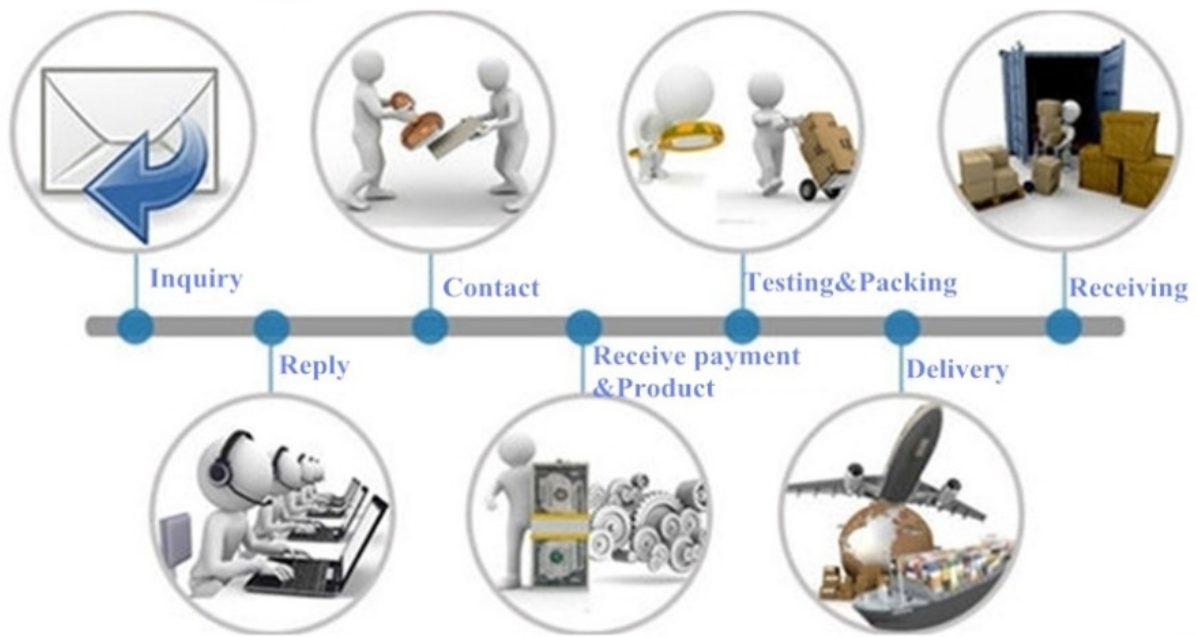
EXHIBITION



CERTIFICATE



HOW TO COOPERATION



Trade terms:	EXW
Payment terms:	T/T, Western union, Paypal etc
Delivery time:	Normal order within 7 days, bulk order 10-15days
Packing:	Neutral paper box and paper carton
Shipping:	Express company or by sea, by air or appointed by buyer

FAQ

FAQ

Q: Can I have a sample order?

A: Yes, we are willing to offer trial sample order to you for quality test. Mixed samples are acceptable.

Q: What is the lead time?

A: Sample needs 1-3 working days, mass production time needs 10-15 working days for order less than 5000pcs.

Q: Do you have any MOQ limit?

A:EXW MOQ is 100pcs under blank box.

Q: How do you ship the goods and how long does it take arrive?

A:The sample will be sent to you by optional shipping service (couriers, air, and sea). The delivery time depends on the shipping service.

Q:How will we proceed the order if I have logo to print?

A:Firstly, we will prepare artwork for visual confirmation. If the color and position are right, we would make sampling firstly from silk print factory and take picture for your second confirmation before mass production.

Q: Does alarm panel work with any sensor?

A:The alarm panel can work with all dry contact wired detectors and wireless detector, including almost all of the wireless sensors from Chinese manufacturers. The wireless encode and decode is EV1527 or our wireless sensors.