

Access control switch power supply

AC220V Input

DC12V 5A Output

7Ah 12V Backup battery is optional

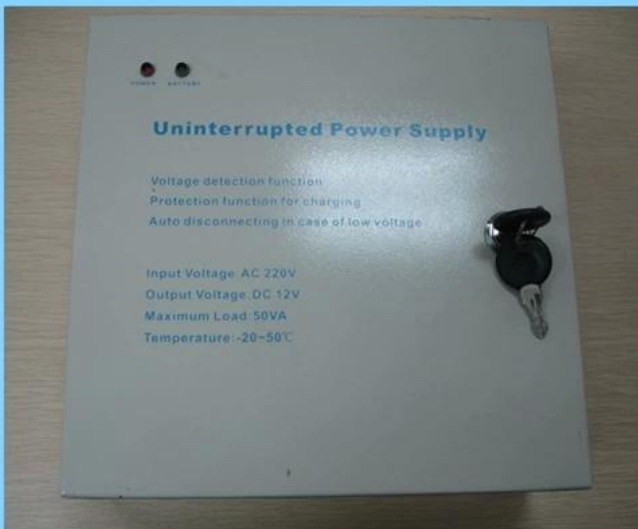
SMQT



• Parameter

SMQT

Parameter	
Product name	Uninterruptible 12V 5A Power Supply for Access control system
Model	EA-39
Dimension	228×228×83(mm)
Input voltage	AC220V
Input frequency	50Hz
Output voltage	12V DC
Output Current	5A
Output Power	60W
Protection	Short circuit protection, Charge protectiron
Time relay	0~10 seconds
Special design	Double Led indicator light Double face PC Board Pure copper Transformer Metal shell
Color	white grey
Suit for	Access control sysetm and doorphone system
Environment temprature	-20 °C~61 °C
Net weight	2.8kg
Optionals	Backup battery(12V 7ah)





Access control switch power supply

AC 220V input, DC 12V 5A output

0~10s time relay (adjustable)

Short circuit protection, charge protection

Double face PC board, pure copper

transformer, steel shell

Suitable for access control and

doorphone system

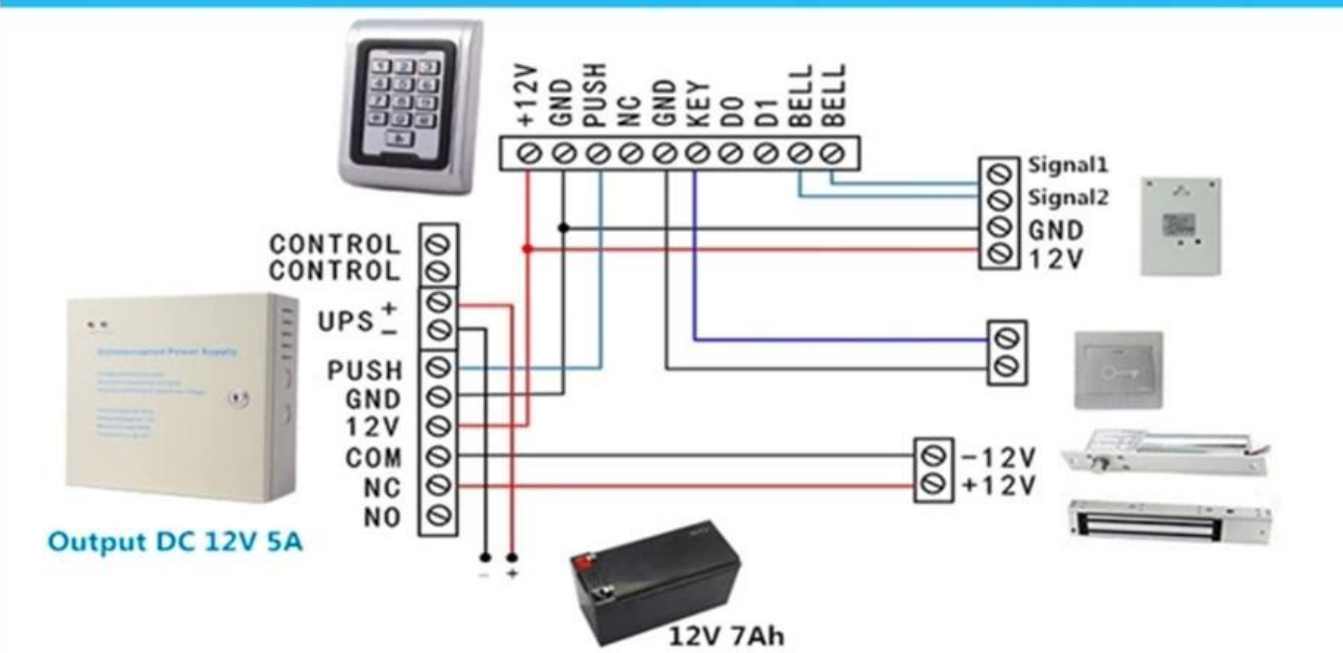
12v 7Ah backup battery optional

Welcome OEM and order sample test

2 years quality warranty

Application

SMQT



Packaging & shipping

SMQT

Packaging list	
Product name	EA-39 Uninterruptible 12V 5A Power Supply for Access control system
Qty	10 pcs per carton
Carton size	50*42*33(cm)
Weight	28kg



WE LOGISTICS



• Office show

SMQT



• Exhibition

SMQT

2011 Brazil Fair



2012 Shenyang Fair



2013 Jinan Fair



2013 Shenzhen Fair



.....



2012 Shenyang Fair



2013 Shenyang Fair



2013 Shenzhen Fair



2015 Shenzhen Fair