

Name	Wireless PIR Detector
Model	EB-187
Dimension:	107×59×39.5(mm)
Operating voltage:	3V DC(2AA battery)
Static current:	≤25uA
Alarm current:	≤15mA
Detecting distance:	12m
Detecting angle:	110°
Transmitting frequency:	315MHz /433MHz (2262 coding chip)(optional)
Transmitting distance:	200m(in open area)
Installation height:	about 2.2m
Installation Mode:	wall mounted
Material:	fireproof ABS housing

PRODUCT PICTURE



The pir motion sensor alarm detection with 12V used in

garden,house,office,shop motion detector.

• Dimension

SMQT

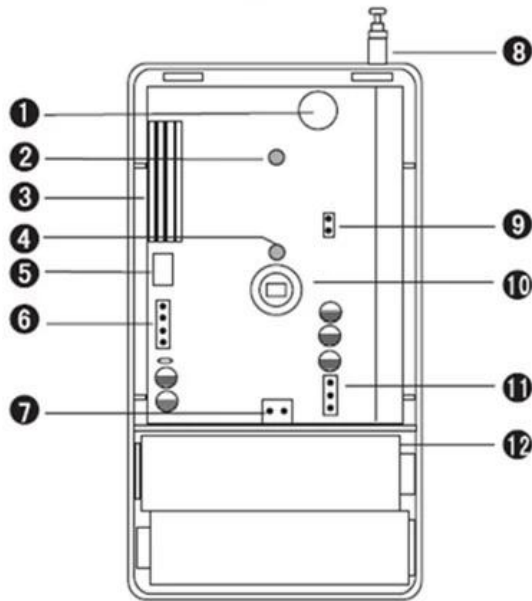


• Feature

SMQT

- 1.ASIC Adopted.
- 2.Auto temperature compensation.
- 3.Send alarm signal by RF.
- 4.Adjustable detecting distance.
- 5.Low battery indication.
- 6.SMT design adopted.

PRODUCT PROFILE

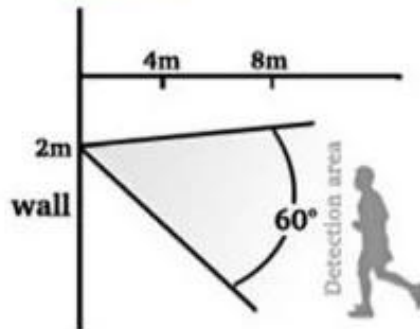


- | | |
|-------------------|----------------|
| ① Filter | ⑦ Power Switch |
| ② Alarm indicator | ⑧ Antenna |
| ③ Code Jumper | ⑨ LED Jumper |
| ④ Low battery LED | ⑩ IR Sensor |
| ⑤ Test button | ⑪ Delay Jumper |
| ⑥ Range jumper | ⑫ Battery |

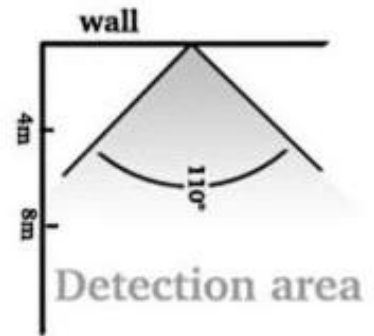


PIR sensor

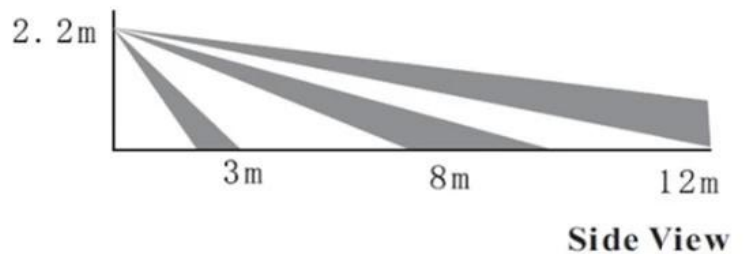
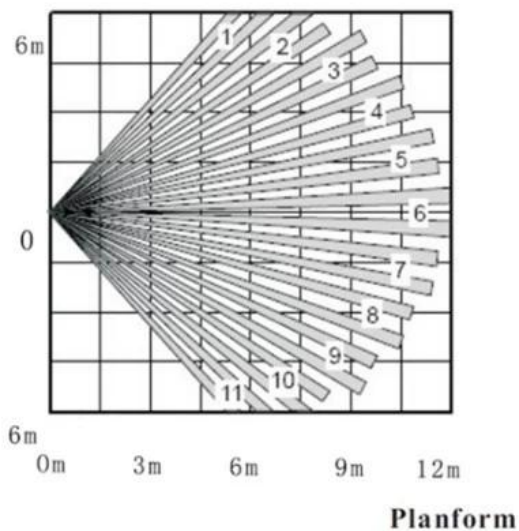
Side view



Overhead view



Detecting Area View



• *Packaging & shipping*

SMQT



● *Office show*

SMQT®



● *Exhibition*

SMQT®

2011 Brazil Fair



2012 Shenyang Fair



2013 Jinan Fair



2013 Shenzhen Fair



.....



2012 Shenyang Fair



2013 Shenyang Fair



2013 Shenzhen Fair



2015 Shenzhen Fair