

Access control power supply

AC 220V input ,DC 12V 3A output
 Pure black color,Double face PC Board,
 pure copper trnsformer,steel shell.



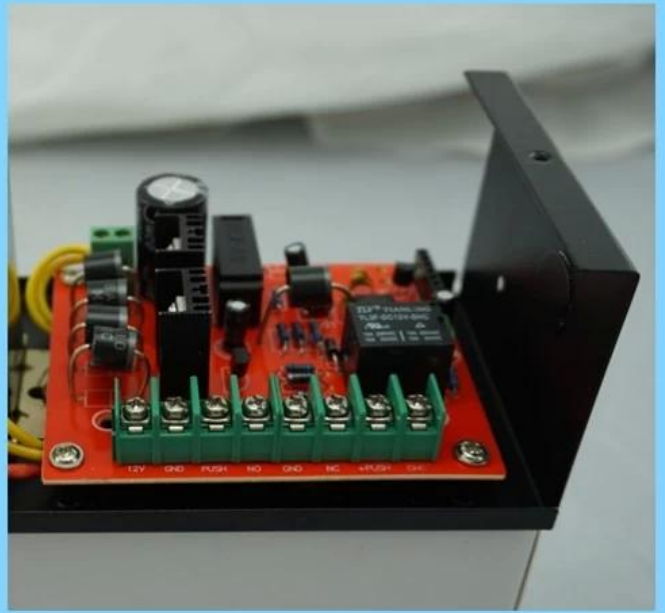
• Parameter



Model	EA-37A
Dimensions	210 × 166 × 70 (mm)
Input Voltage	AC220V
Input Frequency	50Hz
Output Voltage	12V
Output Current	3A
Output Polarity	12V / GND / PUSH / No / GND / NC / + PSH /
Protection	Built-in short circuit protection circuit intererence
Load Regulation	0 ~ 15
Applications	Access control system PC Door phone
Material	Steel
System	Access control system doorphone
Temperature	-20 °C ~ 61 °C
Weight	1.25kg
Optionals	Access control system

• Introduction







Access control uninterruptured switch power supply

AC 220V input voltage

DC 12V,3A output

0~15s time delay(adjustable)

Pure black color,double face PC board,

pure copper transformer

Remote control function is optional

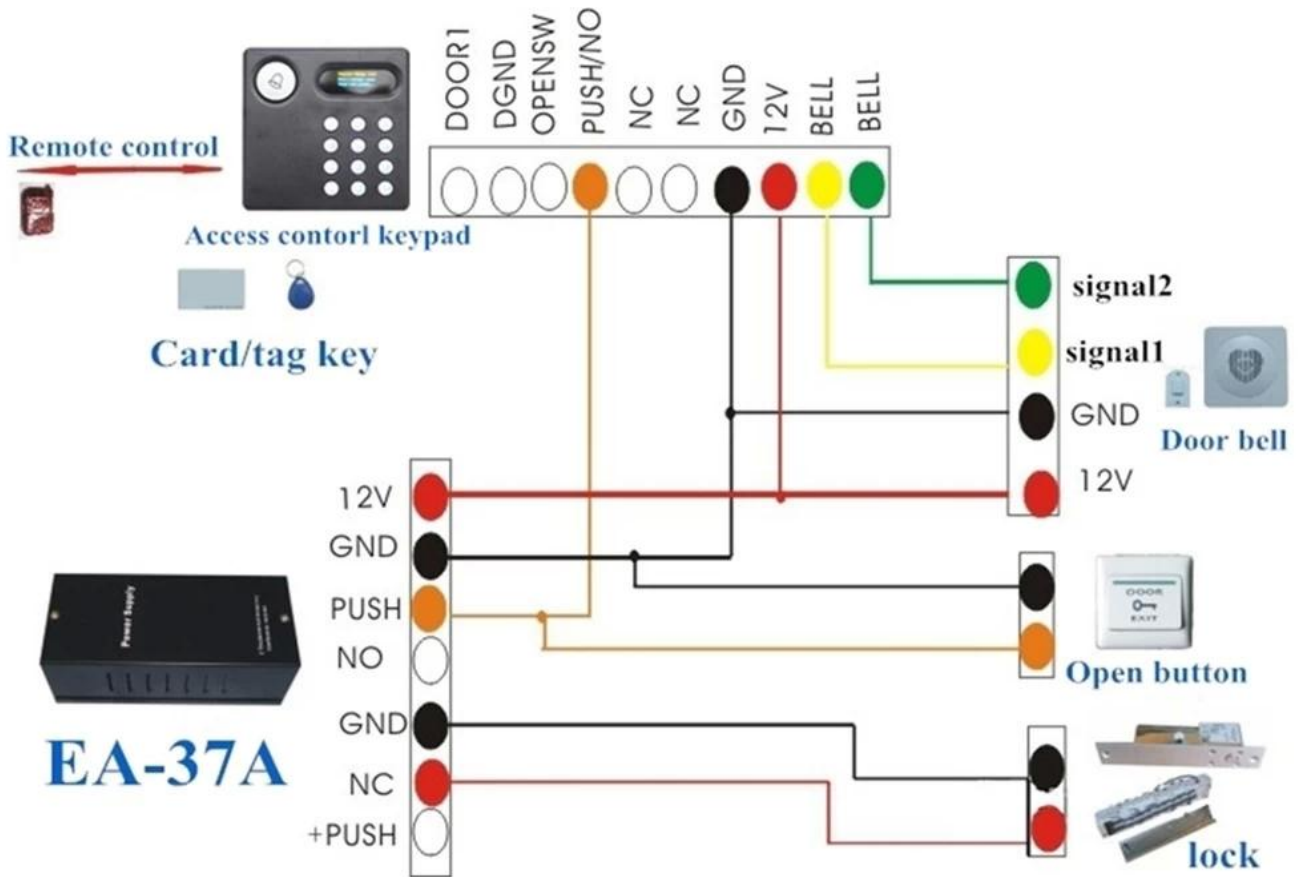
Suitable for access contorl system,

door phone system

Two years warranty welcome OEM

Application

SMQT



Packaging & shipping

SMQT

□□□□□□□□□□□□□□□□	
□□□□□□□□□□□□	EA-37A
□□□□□	20 □□□□□□□□□□□□
□□□□□□□□	45 * 32 * 32 (mm)
□□□□□□□	15 □□□□□□□□



WE LOGISTICS



• Office show

SMQT



• Exhibition

SMQT

2011 Brazil Fair



2012 Shenyang Fair



2013 Jinan Fair



2013 Shenzhen Fair



.....



2012 Shenyang Fair



2013 Shenyang Fair



2013 Shenzhen Fair



2015 Shenzhen Fair