

Model	ABE
Dimensions (mm)	150 : 300mm 300m 450m 600m 750m 50 : 100mm 150mm 200mm 250m (100mm)
Operating Voltage	13.8 ~ 24VDC 11 ~ 28VAC
Operating Current	40-65mA
Operating Temperature	50 ~ 700 mm / mm
Mounting	NC
Storage Temperature	-20°C ~ + 50 °C
Humidity	0 ~ 100%
Viewing Angle	180 ° ± 90 °
Accuracy	± 10 °
Material	ABS
Weight	Approximate PC

SMQT is a professional manufacturer of various types of sensors and modules. We have a rich experience in the design and production of sensors and modules. Our products are widely used in various fields, such as industrial automation, medical equipment, and consumer electronics. We are committed to providing high-quality products and excellent customer service.

. SMQT is a professional manufacturer of various types of sensors and modules. We have a rich experience in the design and production of sensors and modules. Our products are widely used in various fields, such as industrial automation, medical equipment, and consumer electronics. We are committed to providing high-quality products and excellent customer service.

. SMQT is a professional manufacturer of various types of sensors and modules. We have a rich experience in the design and production of sensors and modules. Our products are widely used in various fields, such as industrial automation, medical equipment, and consumer electronics. We are committed to providing high-quality products and excellent customer service.

. SMQT is a professional manufacturer of various types of sensors and modules. We have a rich experience in the design and production of sensors and modules. Our products are widely used in various fields, such as industrial automation, medical equipment, and consumer electronics. We are committed to providing high-quality products and excellent customer service.

. SMQT is a professional manufacturer of various types of sensors and modules. We have a rich experience in the design and production of sensors and modules. Our products are widely used in various fields, such as industrial automation, medical equipment, and consumer electronics. We are committed to providing high-quality products and excellent customer service.

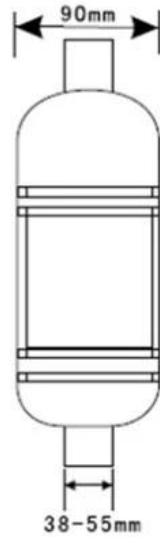
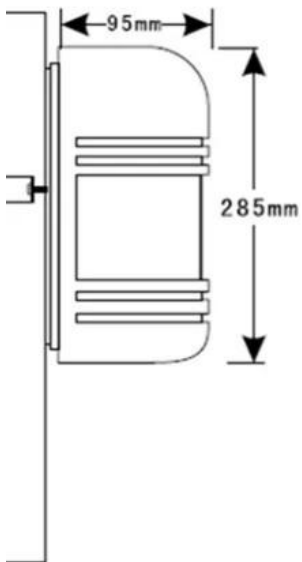
. SMQT is a professional manufacturer of various types of sensors and modules. We have a rich experience in the design and production of sensors and modules. Our products are widely used in various fields, such as industrial automation, medical equipment, and consumer electronics. We are committed to providing high-quality products and excellent customer service.

. SMQT is a professional manufacturer of various types of sensors and modules. We have a rich experience in the design and production of sensors and modules. Our products are widely used in various fields, such as industrial automation, medical equipment, and consumer electronics. We are committed to providing high-quality products and excellent customer service.



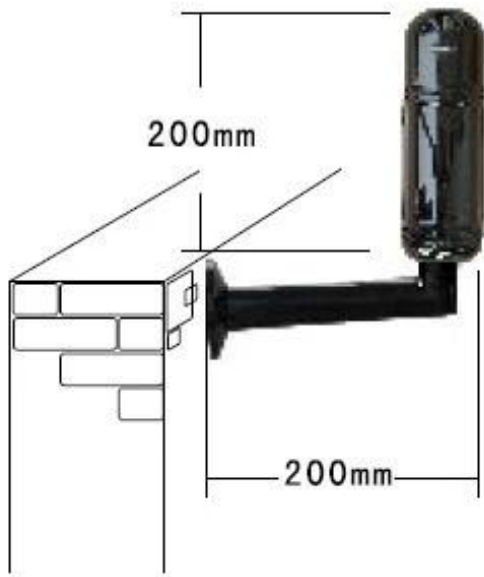
● Dimension Picture

SMQT



● Installations

SMQT



Optional Bracket Accessories: T Bracket

T-200 T-100
 200×120mm 100×120mm

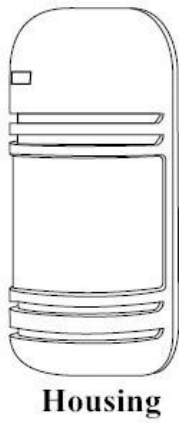
L Bracket



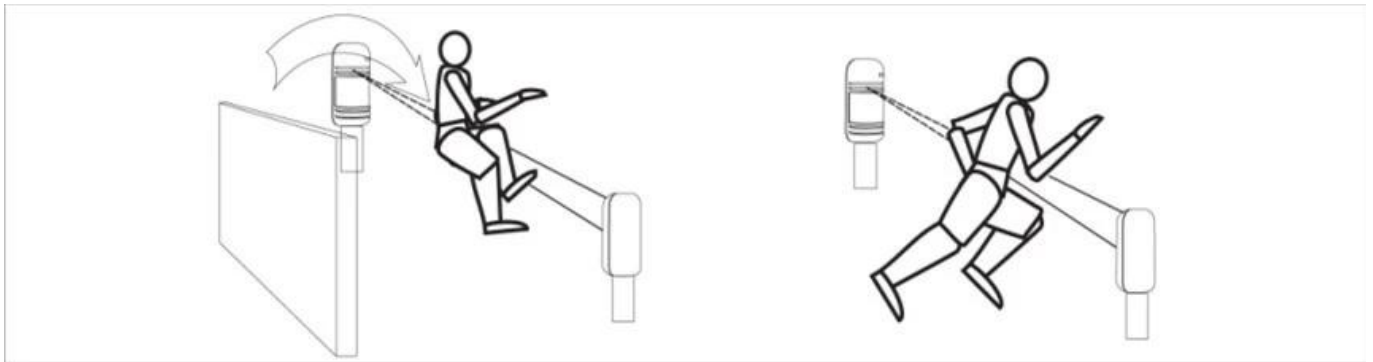
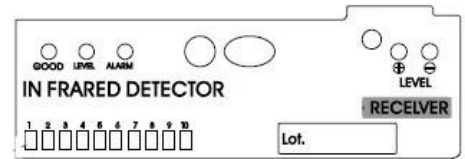
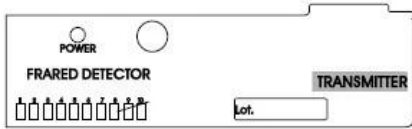
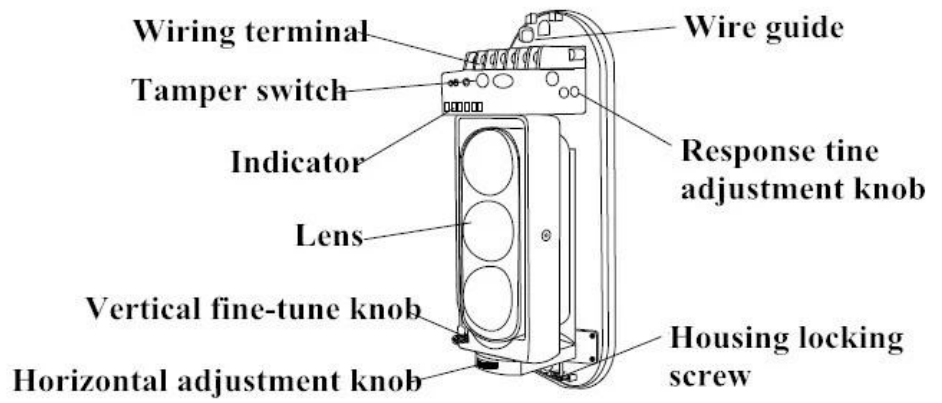
I Bracket



I-100
 100mm
 I-200
 200mm



Housing



High speed

Fast running (6.9m/s)

Fast walking (1.2m/s)

Normal walking (0.7m/s)

Slow walking (0.4m/s)



● Packing list



6





● Exhibitions



2011 Brazil Fair



2012 Shenyang Fair



2013 Jinan Fair



2013 Shenzhen Fair



2012 Shenyang Fair



2013 Shenyang Fair



2013 Shenzhen Fair



2015 Shenzhen Fair

.....