

● Parameter

SMQT®

□□□□□	35.3 L * 28W * 6.4 □□□) □)
□□□□□ □□□□□	TK4100
□□□□□□	125 □□□□ □□□□
□□□ □□ □□□□□□□□□	2 □□ 8 ~ □□
□□□□□□	□□□□□□□□ □□□□□□
□□□□□□□ □□□	□□□□□□□□□□□ □□□□□□□ □□□□□□□ □□□□□□□ □□□□□□□ □□□□□□□

● Introduction

SMQT®

□□ ABS □□□□□□□ □□□ □□□□□□□ □□□□□ □□□□□ □□□□□□ □□□□□□ □□□□□ □□□□□ □□□□□□□ □□□□□□□
 .□□□□□□ □□□□□ □□□□□ □□□ □□□
 .□□□□□□□ □□□□□□ □□□□□□ □□□ □□□□□ □□□□□□□ □□□□□ □□□
 .°C 50 + ~ °C30-□□□□□□□ □□□□ □□□□□□ □□
 □□□ □□□□ □□□□ □□□ □□□□□□ □□□□□□□ □□□□□ □□□□ □□□□□ □□□ □□□□□□.

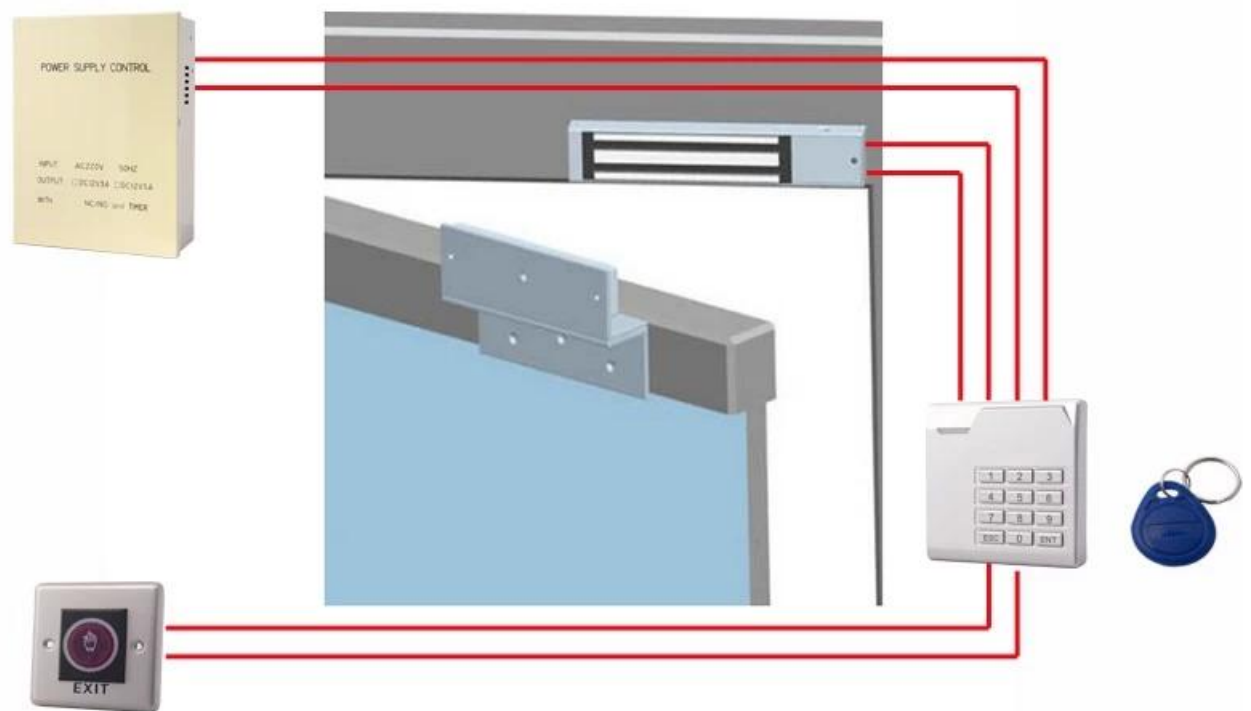
● Dimesion Picture

SMQT®



● Installations

SMQT®



● Features

SMOT

4100 chips [*High Sensitivity*]

Big pure copper coils|Strong anti-jamming

Industrial yellow glues to protect coil and IC component

● Packing list

SMOT



品質可靠有保證

數量	2000pcs/箱
包裝尺寸	40L*30W*20H(cm)
數量	12 箱





● Exhibitions



2011 Brazil Fair



2012 Shenyang Fair



2015 Jinan Fair



2013 Shenzhen Fair



2012 Shenyang Fair



2013 Shenyang Fair



2013 Shenzhen Fair



2015 Shenzhen Fair

