

.()

.2

.

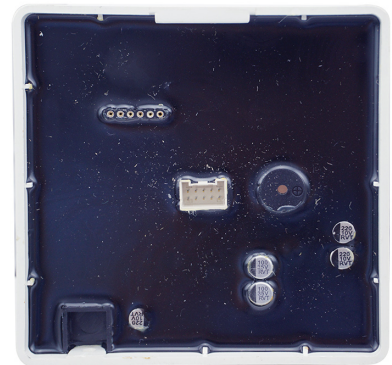
.3

.4

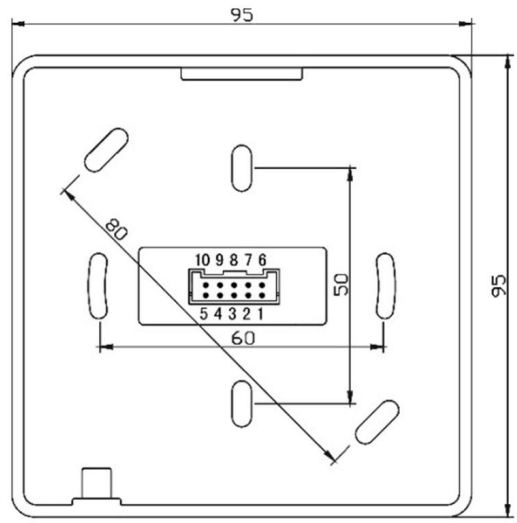
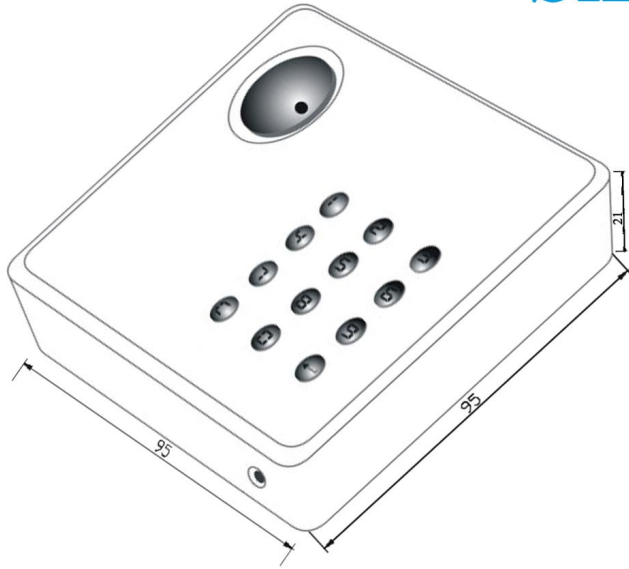
.

.5.

Appearance

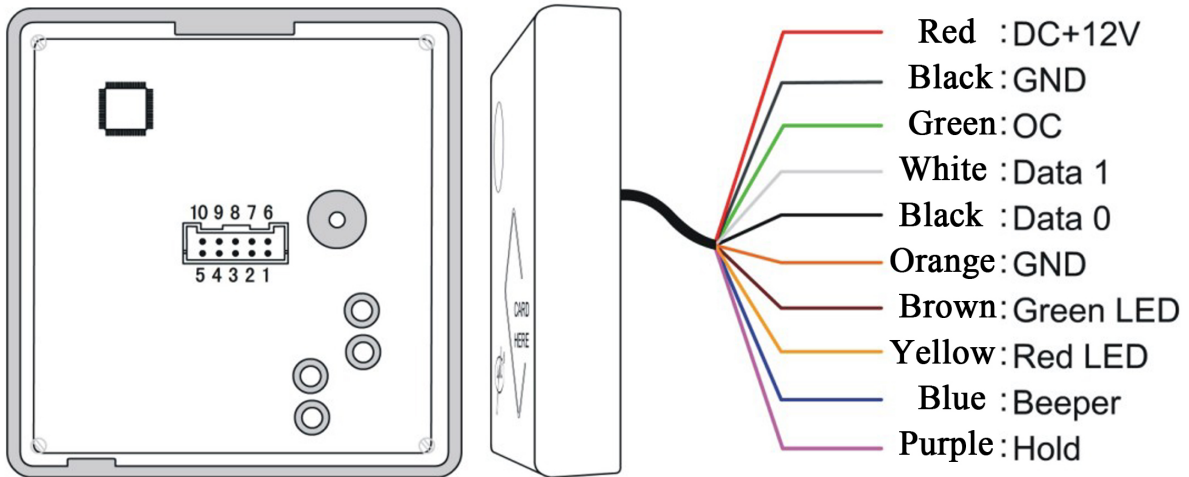


Size



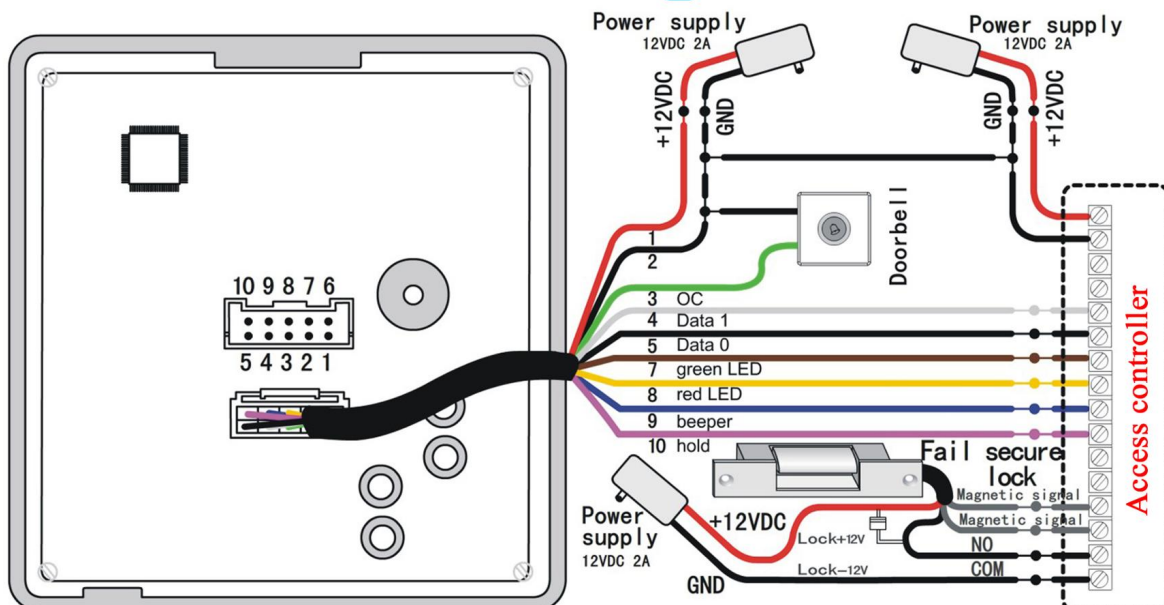
mm

Wire port introduction

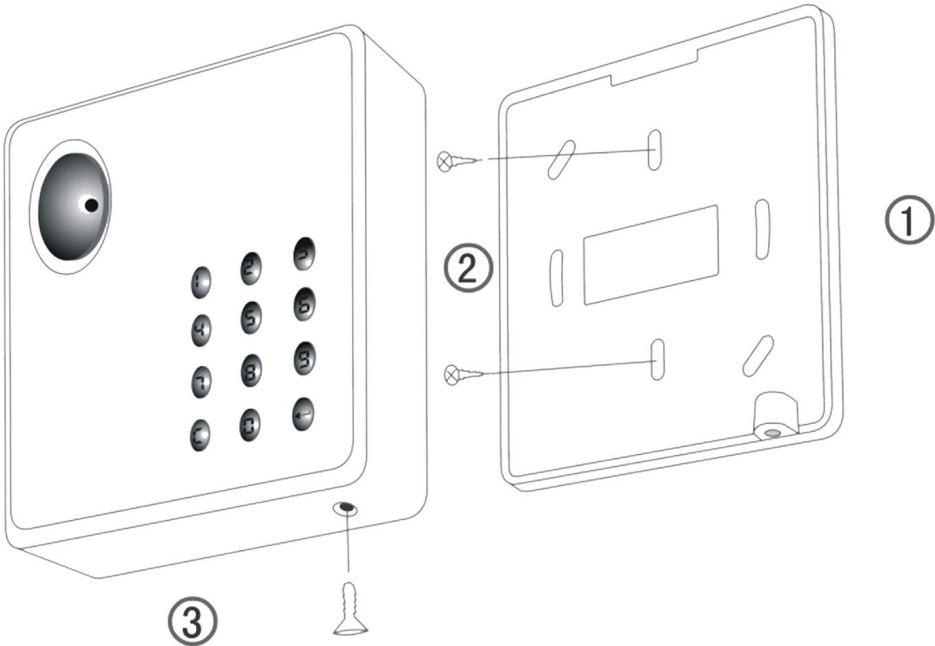


NO	Color	Function	Description
1	Red	12V+	DC Power 12V
2	Black	GND	DC Power 0V
3	Green	OC OUT**	OC Out to output doorbell signal or anti-tamper signal
4	White	DATA1	Wiegand DATA1 Output
5	Black	DATA0	Wiegand DATA0 Output
6	Orange	GND	Signal Grounding
7	Brown	Green LED*	Grounding to display 1 st message and green LED lights up
8	Yellow	Red LED*	Grounding to display 2 nd message and red LED lights up
9	Blue	Beeper	Beeper controller, grounding to work
10	Purple	Hold	Card reading controller, grounding to stop therefore reading

Wire diagram



Installation



SMQT / OEM	
peroid	
1000	
7-15	