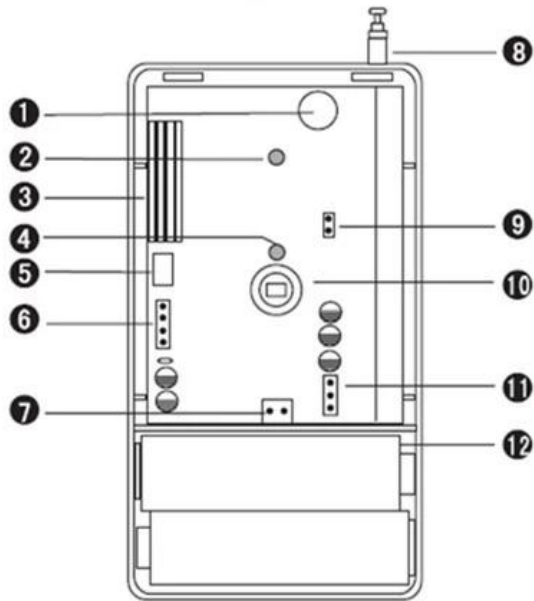


□□□	□□□□□□ □□□□□□ □□□□□□ □□□□ □□ □□□□□□
□□□□□	EB-187
□□□□□□:	107 × 59 × 39.5 (□□)
□□□□□□□□ □□□:	3V 2 □□□□□□□) □□□□□□□□AA)
□□□□ □□□□:	≤25uA
□□□□□□ □□□□□ □□□□□:	≤15mA
□□□□□□□ □□ □□□□□:	12M
□□□□□ □□□:	110 □□□□
□□□□□□ □□□□:	315MHz 433 /□MHz □□□□□□□□) (□□□□□□ □□□□□□□□ 2262)□
□□□□□□□ □□□□:	200M (□□□□□□ □□□□□ □□)
□□□□□□□ □□□□□□:	2.2 □□□□M
□□□□□□□ □□□□□:	□□□□□□ □□□ □□□□□□
□□□□□:	ABS □□□□□□□ □□□□□□ □□□□□□

□□□□□□□□ □□□□□ □□□□□ □□□□□□□□□□ □□□□□ passived □□□□□□ □□□□□□□□ □□□□□□□ □□□ □□□□□□□□ □□□□□□□□ □□□□□□□□ □□□□□ □□□□□□□□.

## PRODUCT PROFILE



- |                   |                |
|-------------------|----------------|
| ① Filter          | ⑦ Power Switch |
| ② Alarm indicator | ⑧ Antenna      |
| ③ Code Jumper     | ⑨ LED Jumper   |
| ④ Low battery LED | ⑩ IR Sensor    |
| ⑤ Test button     | ⑪ Delay Jumper |
| ⑥ Range jumper    | ⑫ Battery      |

### ● Dimesion Picture

**SMQT**



### ● Installations

**SMQT**



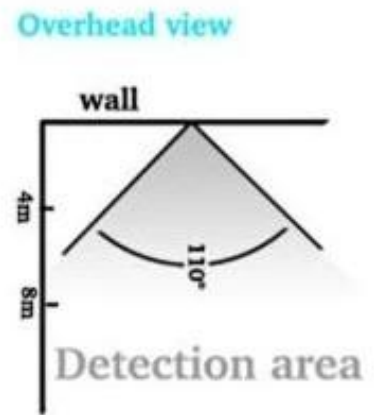
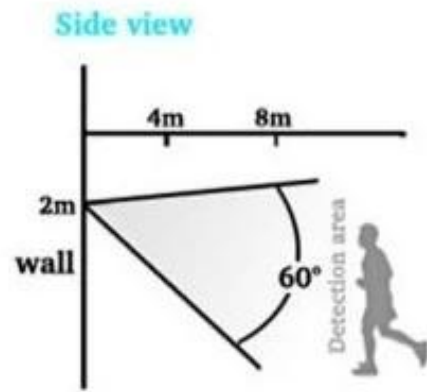
## ● Features

**SMOT**

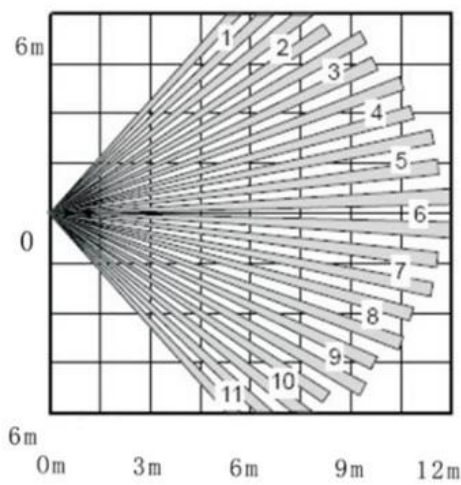
1. ASIC .
- 2 .Auto.
- 3 .Send RF.
- 4 .Adjustable.
5. Low .
- 6 .SMT.



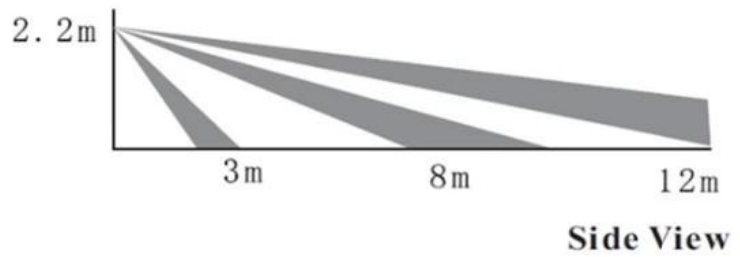
PIR sensor



Detecting Area View



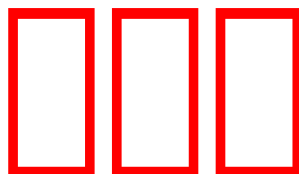
Planform



Side View

● Packing list

SMOT





□□□□□□:	100 □□□□□□ / □□□□
□□□□□□ □□□□□□:	0.55 * 0.41 * 0.29 □
□□□□ □□□□□□:	16.5KG / □□□□□

● Office

SMQT



● Exhibitions

2011 Brazil Fair



2012 Shenyang Fair



2013 Jinan Fair



2013 Shenzhen Fair



2012 Shenyang Fair



2013 Shenyang Fair



2013 Shenzhen Fair



2015 Shenzhen Fair

.....