



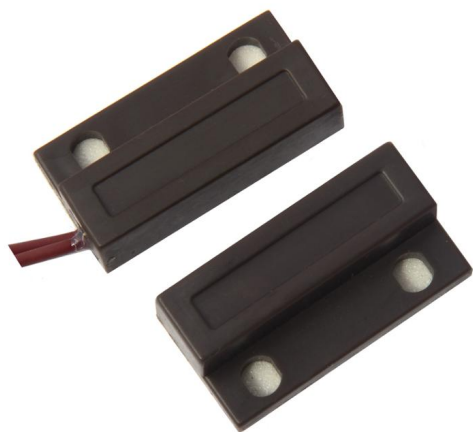
EB-134'S MAIN PARAMETER

Product Name:	SMQT 100% ROHS COMPLIANT 100% HALOGEN FREE 100% LEAD FREE 100% RECYCLED
Model:	EB-134
Max DC Voltage:	Max DC 100
Max DC Current:	0.5 A
Power:	10W
Terminal Type:	NC / COM
Terminal Length:	20 ~ 30mm
Dimensions:	(Top) 7.5 * 14 * 23 :mm (Bottom) 7.5 * 14 * 23 :mm
Material:	ABS + PCB + PC
Weight:	12 :mmG 20 220 :mmG
Quantity:	2 :mmG

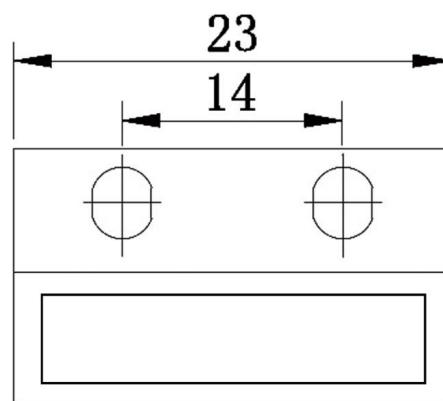
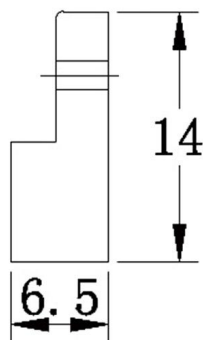
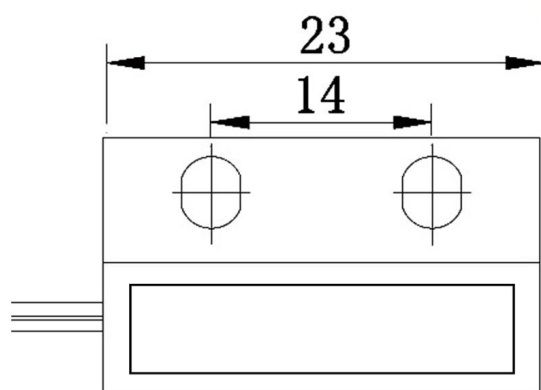
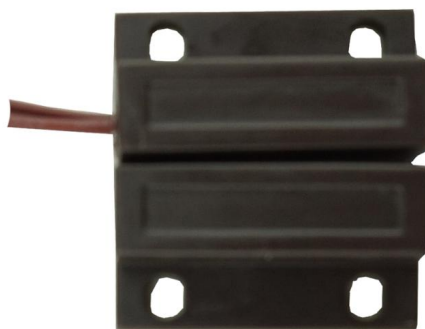
OEM: □□□□□□ □□□□□□ □□□□ □□□□

□□□ EB-134 □□□□□

2 Color optional

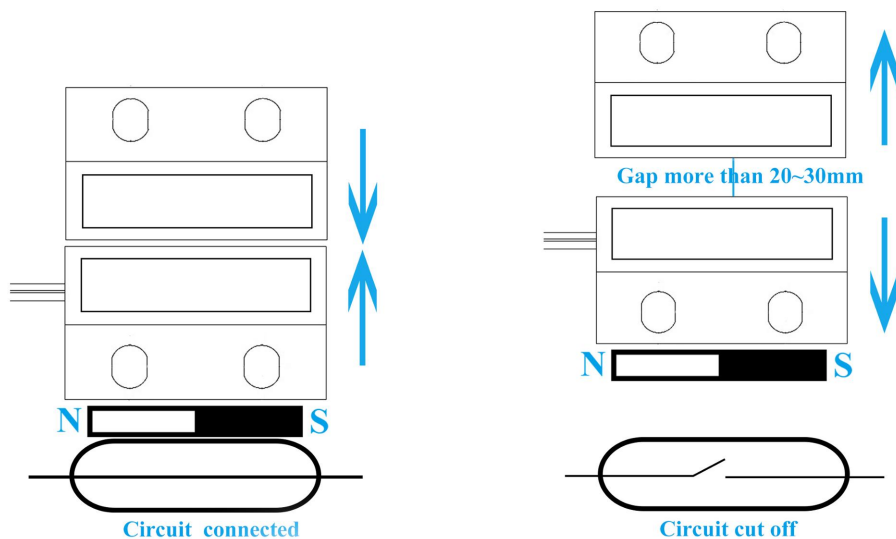


Size

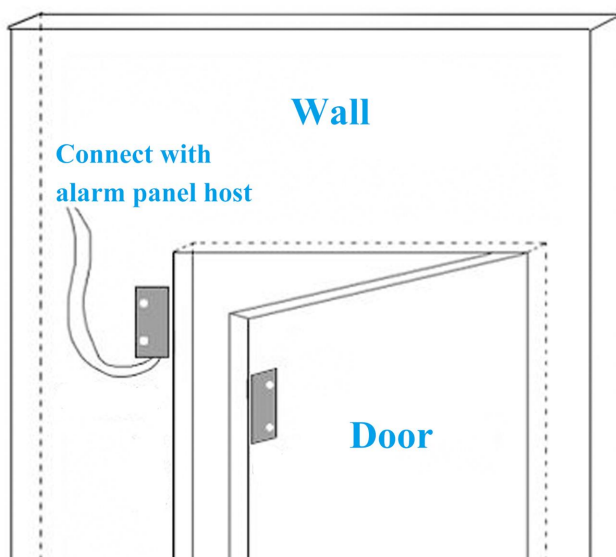


mm

NC mode working principle



Installation



Packaging

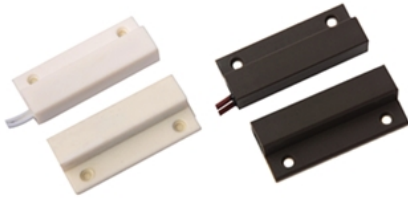


20 pairs per bag

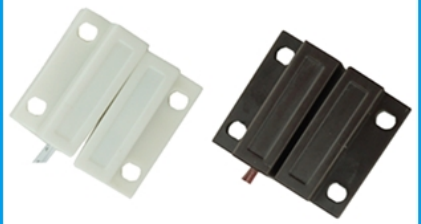
SMQT[®]
铭汗科技



SMQT[®]
铭汗科技



SMQT[®]
铭汗科技



SMQT[®]
铭汗科技



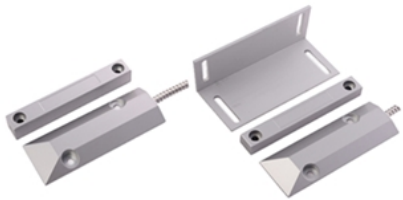
SMQT[®]
铭汗科技



SMQT[®]
铭汗科技



SMQT[®]
铭汗科技



SMQT[®]
铭汗科技



SMQT[®]
铭汗科技

