

● Parameter

SMQT®

□□□□□□	
□□□□□□ □□□□	□□□□□□ □□ □□□□□□ □□□□□□□□ □□□□ □□□□ □□□ □□□□□□□□
□□□□□□□□	EA-87A
□□□□	120 × 56 × 18 (□□□□)
□□□□□□□□ □□□□□□ □□□□□□	12V □□□□□□□□
□□□□□ □□□□□□	□□□□□□□□ & It60 □MA
□□□□ □□□□□□	2000PCS
□□□□□ □□□□□	5-8cm □□□□□□ IC 3-6cm
□□□□□□□□ □□□□ □□□□	0 ~ 99 □□□□□□□□ □□□□□□ □□□□□□
□□□□□□ □□□□	□□□□ □□□□ □□□□ /□□□□□□ / UID + □□□□□□□□ □□□□ + □□□□□□ / □□□□□ □□□□
□□□□□ □□□□□□	EM 125) □□□□□□□ □□□□□□KHZ)
□□□□□□□ □□□□□□□□	□□□□ / □□□□□□□□□□ / □□□□ □□□□ / □□□□□□□□ □□□□□□□□ □□□□□□□□ □□□□ / □□□□ □□ □□□□□□□□ □□□□
□□□□□□	□□□□□□ □□ □□□□□
□□□□ □□□□□	□□□□□ /□□□□□□□□□□ □□□□□□□□
□□□□□ □□□□□□	□□□□ □□□□□□ □□□□□□□□ □□□□
□□□□□□□□ □□□□□ □□□□□□	-10 °C ~ 50 °C
□□□□ □□□□	0.5KG

● Introduction

SMQT®





Single door access control keypad

Working voltage 12V DC

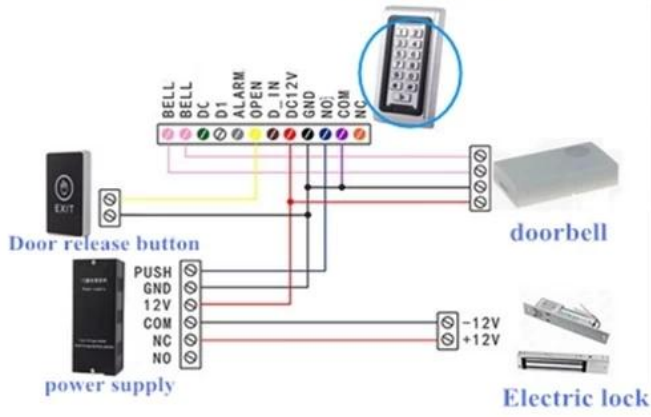
Card capacity 2000 pcs

IC(13.56Mhz)/ID(125Khz) card type optional

Waterproof, suitable for outdoor

Button with LED back light

EA-87A



•Packaging & shipping

SMQT®

	□□□□□□□□ □□□□□□□□ □□□□□□
□□□□□□ □□□	EA-87A □□□□□□□□ □□□□□□□□ □□□□ □□□□ □□□□ □□□□ □□□□ □□□□ □□□□
□□□□□□□	20
□□□□□□□ □□□□□□ □□□	47 * 32 * 34 (□□)
□□□	17KG



• *Office show*

SMQT®



• *Exhibition*

SMQT®

2011 Brazil Fair



2012 Shenyang Fair



2013 Jinan Fair



2013 Shenzhen Fair



.....



2012 Shenyang Fair



2013 Shenyang Fair



2013 Shenzhen Fair



2015 Shenzhen Fair