

Access control power supply

AC 220V input ,DC 12V 3A output
 Pure black color,Double face PC Board,
 pure copper transformer,steel shell.



• Parameter



| | |
|------|--|
| 型号 | EA-37A |
| 尺寸 | 210×166×70mm |
| 输入电压 | AC220V |
| 输入频率 | 50Hz |
| 输出电压 | 12V DC |
| 输出电流 | 3A |
| 控制方式 | 12v / GND / PUSH / NO / GND / NC / + PSH / CONTROL |
| 外壳 | 钢壳 |
| 重量 | 0.15kg |
| 安装方式 | PC板安装 |
| 工作温度 | -20°C~61°C |
| 功率 | 1.25kg |
| 其他 | |

• Introduction







Access control uninterruptured switch power supply

AC 220V input voltage

DC 12V,3A output

0~15s time delay(adjustable)

Pure black color,double face PC board,

pure copper transformer

Remote control function is optional

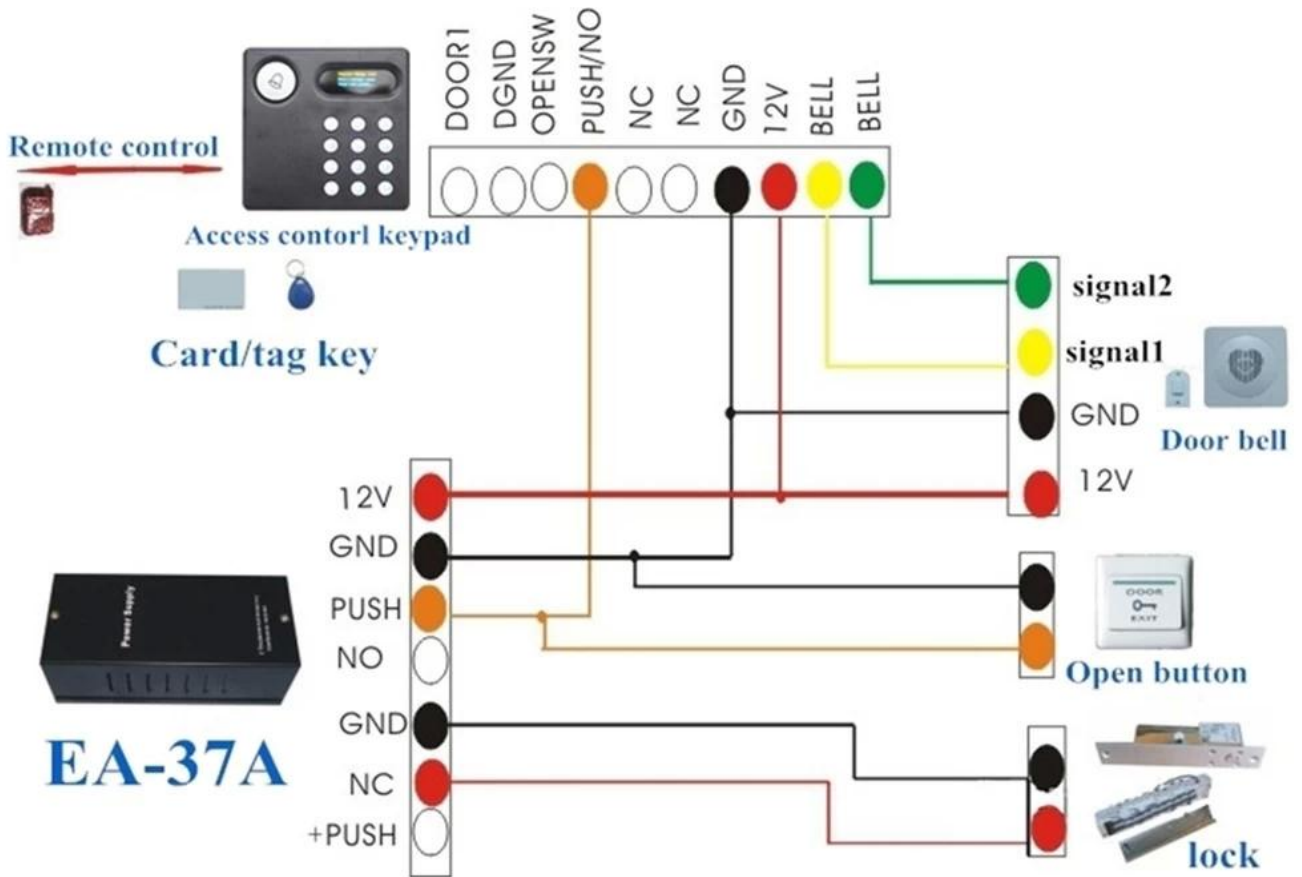
Suitable for access control system,

door phone system

Two years warranty welcome OEM

Application

SMQT



Packaging & shipping

SMQT

| | |
|------|------------------|
| | □□□□ |
| □□□□ | EA-37A |
| □□ | □□20□ |
| □□□□ | 45 * 32 * 32□cm□ |
| □□ | 15kg |



WE LOGISTICS



• Office show

SMQT



• Exhibition

SMQT

2011 Brazil Fair



2012 Shenyang Fair



2013 Jinan Fair



2013 Shenzhen Fair



.....



2012 Shenyang Fair



2013 Shenyang Fair



2013 Shenzhen Fair



2015 Shenzhen Fair