

Access control switch power supply

AC 110V~220V input
DC 12V, 5A output



SMQT®

• Parameter

SMQT®

Model	EA-32A
Dimensions	120×96×38mm
Input Voltage	AC110V-220V
Input Frequency	50-60Hz
Output Voltage	12V DC
Output Current	5A
Input Power	100W
Output Power	60W
Operating Temperature	-20°C~61°C
Weight	0.32kg

• Introduction

SMQT®





Concise access control switch power supply

AC110V~240V input voltage

50~60Hz input frequency

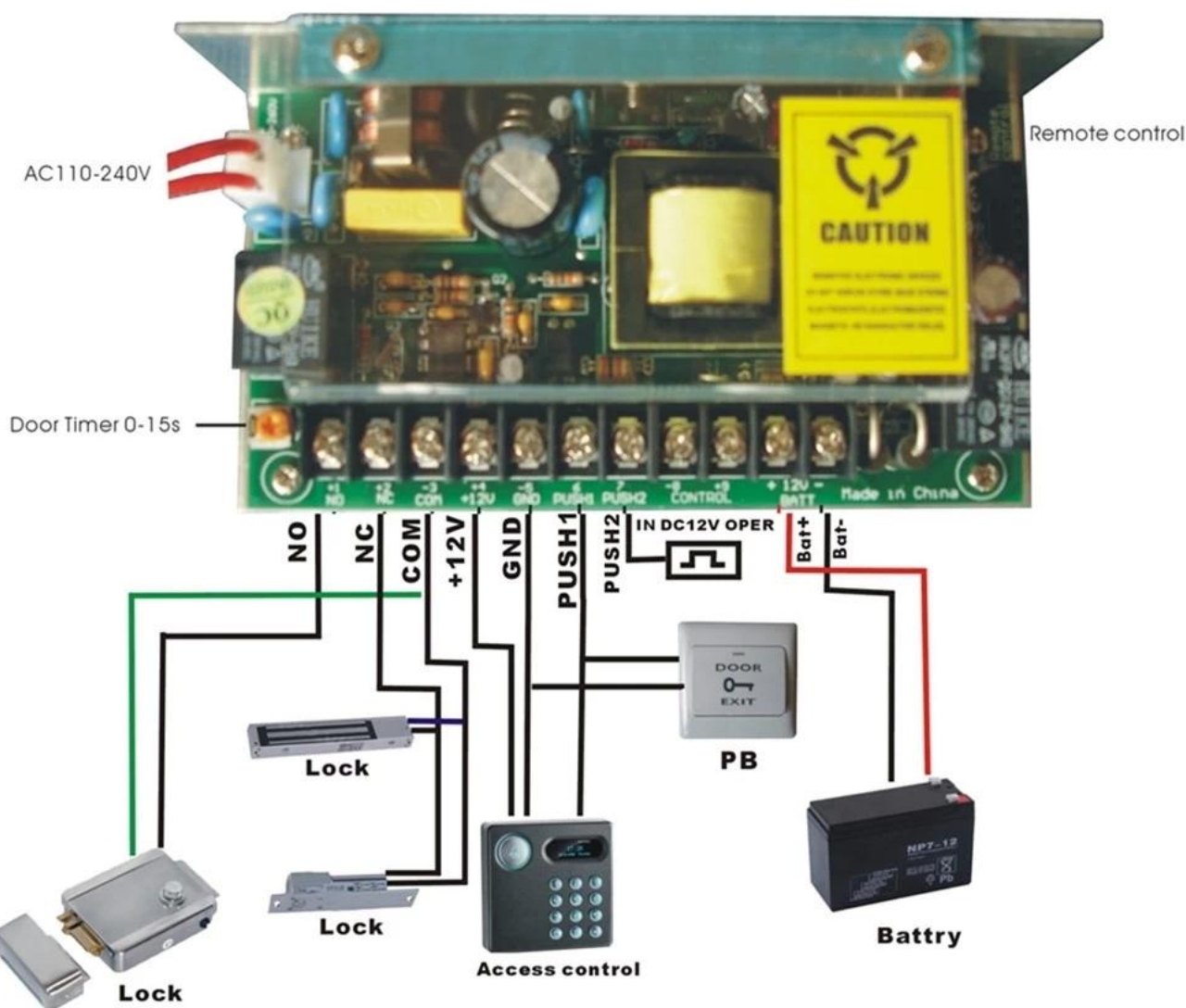
DC 12V,5A output

Double side PC board,pure copper transformer

2 years quality warranty, welcoem OEM

Application

SMQT



Packaging & shipping

SMQT

	□□□□
□□□□	EA-32A □□□□□□
□□	□□41□
□□□□	45 * 32 * 32□cm□
□□	15kg



WE LOGISTICS



• Office show

SMQT



• Exhibition

SMQT

2011 Brazil Fair



2012 Shenyang Fair



2013 Jinan Fair



2013 Shenzhen Fair



2012 Shenyang Fair



2013 Shenyang Fair



2013 Shenzhen Fair



2015 Shenzhen Fair

.....