

NEW

PRODUCT THE ARRIVAL OF THE GOODS

Appearance of the patent, Has the opposite of current protection, Import PC material, heat resistance, corrosion resistance is strong, free manage software, 2 years quality warranty, welcome OEM



SMQT®

<https://eis.en.alibaba.com/>

search

THE INTERNATIONAL WEBSITE | ▲

EA-81k

	EA-81K
	120×75×25
	12V
	<100
	1000 16000 32000
	30-70mm
	ID& IC
	< 0.5
	-35°C 70°C



1,000 cards capacity, 16,000 or 32,000 be customized

Support ID 125KHz & IC 13.56MHz

30mm-70mm reading distance

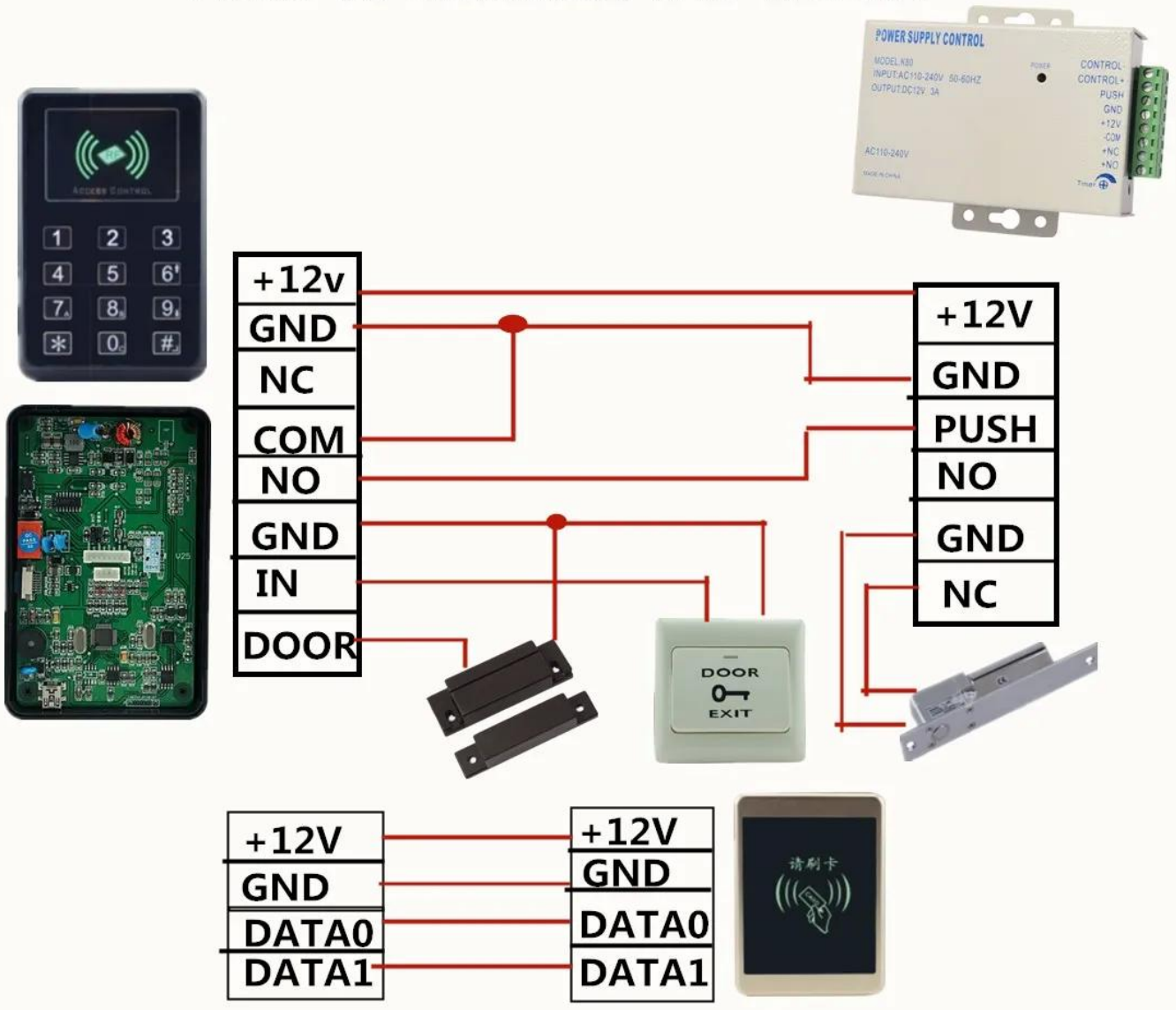
Welcome to test sample for evaluation

Welcome 2 years warranty & OEM



□□□□□

How to connect the wires?



Order Number: 77851351216448

Last update Time: 2016-09-05 07:19

fobister

Trade Assurance coverage



On-time shipment safeguard



Post-delivery product quality safeguard

Buyer feedback

thank you for your support , pls keep the quality and best service , we will do more business together in the future !

Order Number: 77851671126448

Last update Time: 2016-09-05 07:17

fobister

Trade Assurance coverage



On-time shipment safeguard



Post-delivery product quality safeguard

Buyer feedback

thank your for your support , pls keep the quality and best service .

□□□□□□□□

SMQT[®]
铭汗科技



SMQT[®]
铭汗科技



SMQT[®]
铭汗科技



SMQT[®]
铭汗科技



SMQT[®]
铭汗科技



SMQT[®]
铭汗科技



SMQT[®]
铭汗科技



SMQT[®]
铭汗科技



SMQT[®]
铭汗科技



□□□□



VARIETY OF PAYMENT OPTIONS

T/T L/C
30/70 AT SIGHT/90DAY





A 1-3 10-15 5000

A

A

A