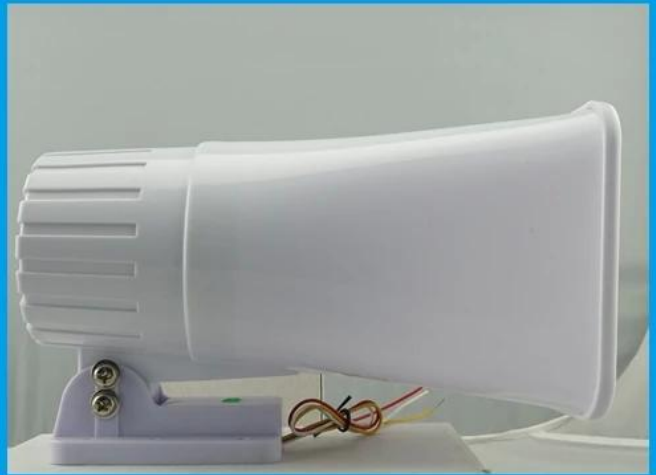
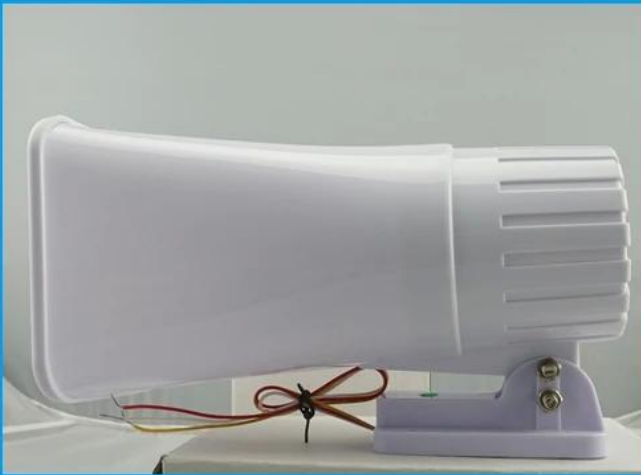




EB-166 

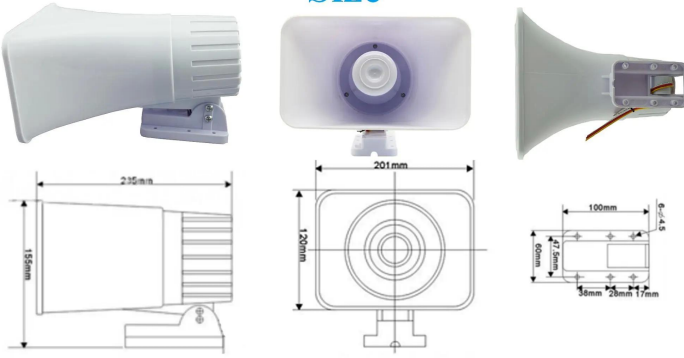


EB-166

EB-166	
Model	EB-166
Dimensions	236 * 200 * 118mm
Power	DC 12V
Capacity	1200mAh
Power Output	40W / 30W
Impedance	8Ω
Frequency	120Hz
Channels	2CH
Channels	3in/1in
Temperature	-20°C~50°C
Humidity	95%RH
Temperature	-20°C~60°C
Material	ABS
Weight	1.2kg
Certification	CE
Warranty	2 Years

EB-166

Size



3 Wires 2 Tones



120 dB High Sound Pressure



Waterproof



SMQT[®]
铭汗科技



SMQT[®]
铭汗科技



SMQT[®]
铭汗科技



SMQT[®]
铭汗科技



SMQT[®]
铭汗科技



SMQT[®]
铭汗科技



SMQT[®]
铭汗科技



SMQT[®]
铭汗科技



SMQT[®]
铭汗科技

