

## • Parameter

SMQT®

□□	
□□□□	□□□□□□□□□□□□
□□□	EA-87A
□□	120×56×18□□□□
□□□□	12V DC
□□□□	<60□□
□□□	2000PCS
□□□□	ID 5-8CM IC 3-6CM
□□□□□	0□99 □□□□□
□□ □□	□/ □□□□/ UID +□□/□+□□
□ □□	ID□125KHZ□
□□□□	□ □□□□/□□/□□/□□□□/□□
□□	□□
□□ □□	□/ □□□
□□ □□	□□ □
□□ □□	-10 °C□50°C
□ □□	0.5□□

## • Introduction

SMQT®





*Single door access control keypad*

*Working voltage 12V DC*

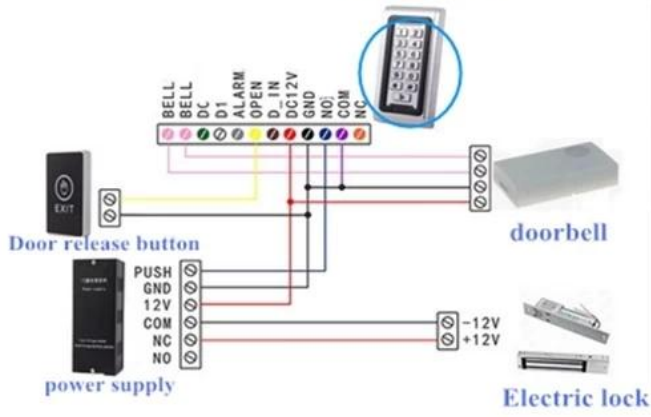
*Card capacity 2000 pcs*

*IC(13.56Mhz)/ID(125Khz) card type optional*

*Waterproof, suitable for outdoor*

*Button with LED back light*

# EA-87A



## • Packaging & shipping

SMQT®

	□□□□
□□□□	EA-87A□□□□□□□□□□□□
□□	20
□□□□	47 * 32 * 34□□□□
□□	17□□



• *Office show*

SMQT®



• *Exhibition*

SMQT®

2011 Brazil Fair



2012 Shenyang Fair



2013 Jinan Fair



2013 Shenzhen Fair



2012 Shenyang Fair



2013 Shenyang Fair



2013 Shenzhen Fair



2015 Shenzhen Fair



.....