

modelo	ABE
detecting distance	Indoor: 150m 300m 450m 600m 750m Outdoor: 50m 100m 150m 200m 250m (opsyonal)
operating boltahe	13.8 ~ 24VDC 11 ~ 28VAC
operating kasalukuyang	40-65mA
indikasyon speed	50 ~ 700m / sec
Anti-demolition output	NC
Environment temperatura	-20°C~ + 50 °C
Alarm output	NO / NC
adjustment Level	180 ° ± 90 °
Vertocal adjustment	± 10 °
kulay	itim
materyal	PC dagta

Ang infrared beam motion detector na may 3 beams long distance sensor. This infrared bakod detector ay hindi tinatablan ng tubig. Photoelectric sensors infrared laser beam ay hindi tinatablan ng tubig seguridad infrared beams para sa iyong apartment. It ay kaligtasan para sa iyong bahay.

Selyadong integration istraktura ay may kakayahan na magtrabaho sa hash kapaligiran.

Confronted na may hamog na ulap o masungit na panahon, ang detector ay awtomatikong umayos ang sensitivity (AGC circuit). Madaling ayusin at i-calibrate ang horizontal / vertical optical anggulo.

Built-in na integrated optical teleskopyo, gamitin ang mga propesyonal na anti-trapiko jacket.

Anti-kidlat circuit disenyo.

Mataas na kapangyarihan infrared receiver tubes, mababakapangyarihan digital.



inside zone of the sensor



inside of the sensor



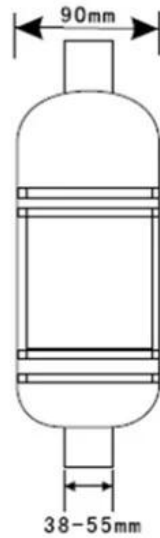
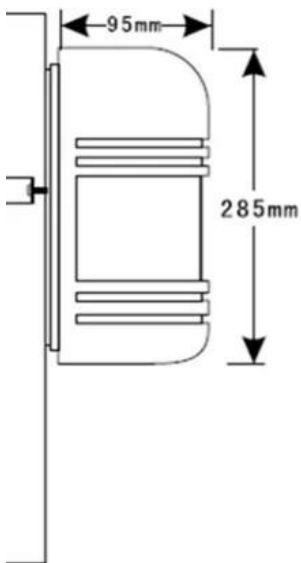
3 beams sensor



pairs of the sensor

● Dimesion Picture

SMOT

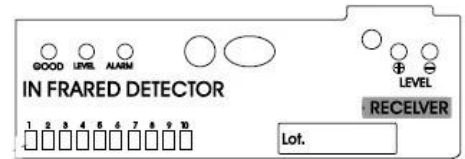
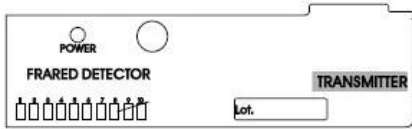
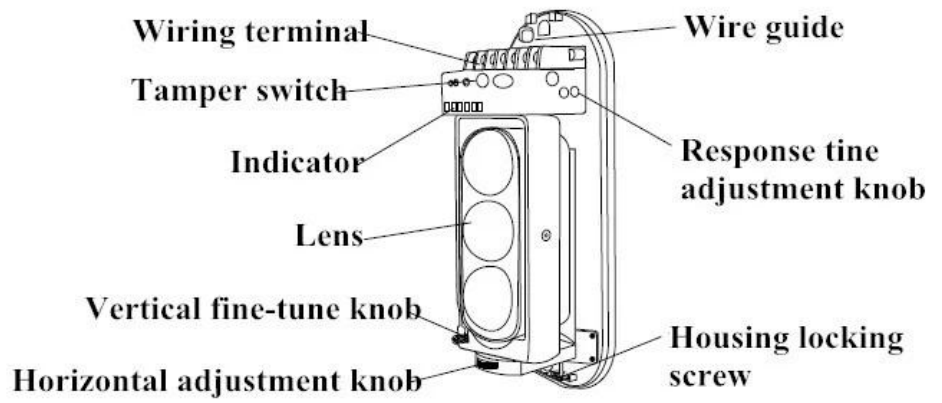
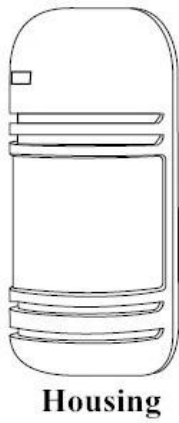




Optional Bracket Accessories: T Bracket

T-200 T-100
200×120mm 100×120mm





● Office



● Exhibitions



2011 Brazil Fair



2012 Shenyang Fair



2013 Jinan Fair



2013 Shenzhen Fair



.....



2012 Shenyang Fair



2013 Shenyang Fair



2013 Shenzhen Fair



2015 Shenzhen Fair