

Access control power supply

AC 220V input ,DC 12V 3A output
Pure black color,Double face PC Board,
pure copper trnsformer,steel shell.

SMQT



• Parameter

SMQT

| parametro | |
|------------------------|--|
| produkto pangalan | itim metal box Concise Lumipat Power supply para sa access control system |
| modelo | EA-37A |
| sukat | 210 × 166 × 70 (mm) |
| input Boltah | AC220V |
| input dalas | 50Hz |
| output Boltah | 12V DC |
| ouput kasalukuyan | 3A |
| output contact | 12v / GND / PUSH / HINDI / GND / NC / + PSH / CONTROL |
| proteksyon | Built-in output short-circuit proteksyon Anti-intererence |
| oras riley | 0 ~ 15 segundo |
| espesyal disenyo | dalisay itim na kulay doble mukha PC Board dalisay tanso Transformer metal kabibi |
| kulay | itim |
| suit para sa | daan control sysetm at doorphone sistema |
| kapaligiran temprature | -20 °C ~ 61 °C |
| net timbang | 1.25kg |
| optionals | malayo kontrol |

• Introduction

SMQT





Access control uninterruptured switch power supply

AC 220V input voltage

DC 12V,3A output

0~15s time delay(adjustable)

Pure black color,double face PC board,

pure copper transformer

Remote control function is optional

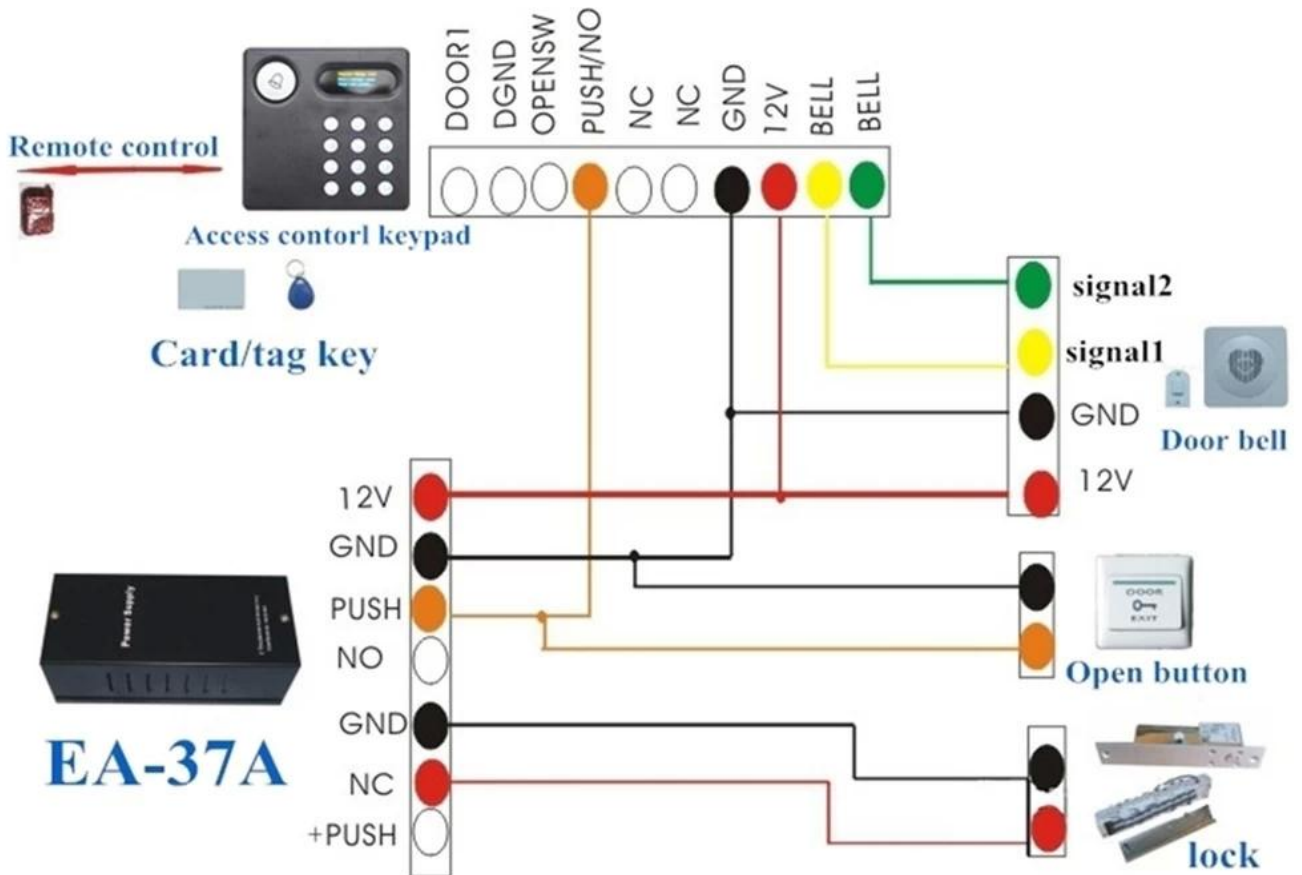
Suitable for access contorl system,

door phone system

Two years warranty welcome OEM

Application

SMQT



Packaging & shipping

SMQT

| listahan packaging | |
|----------------------|---------------------------|
| Pangalan ng Produkto | EA-37A |
| Dami | 20 mga PC ng bawat karton |
| carton laki | 45 * 32 * 32 (cm) |
| timbang | 15kg |



WE LOGISTICS



• Office show

SMQT



• Exhibition

SMQT

2011 Brazil Fair



2012 Shenyang Fair



2013 Jinan Fair



2013 Shenzhen Fair



.....



2012 Shenyang Fair



2013 Shenyang Fair



2013 Shenzhen Fair



2015 Shenzhen Fair