

Access control switch power supply

AC 110V~220V input
DC 12V, 5A output



SMQT

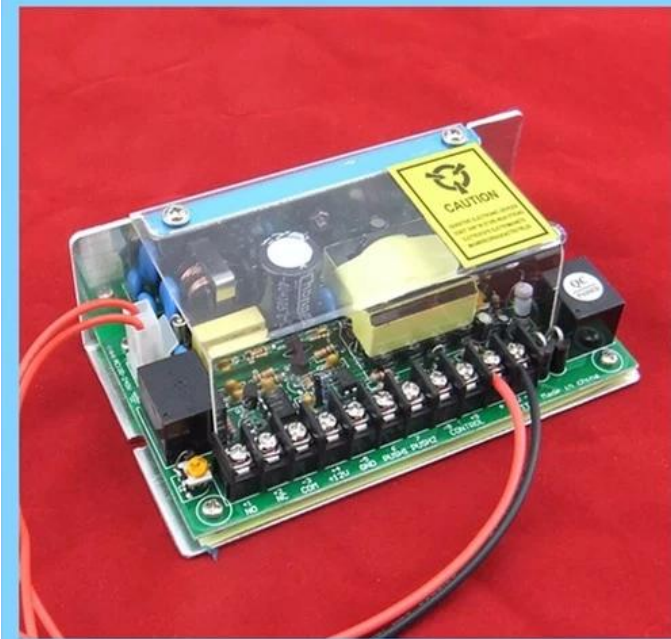
• Parameter

SMQT

parametro	
produkto pangalan	maigsi Access control Power Supply para sa Access control system
modelo	EA-32A
sukat	120 × 96 × 38 (mm)
input Boltahe	AC110V-220V
input dalas	50-60Hz
output Boltahe	12V DC
ouput kasalukuyan	5A
proteksyon	Built-in output short-circuit at Sobra proteksyon
kulay	kulay abo, berde
suit para sa	daan control sysetm
kapaligiran temprature	-20 °C ~ 61 °C
net timbang	0.32kg

• Introduction

SMQT





Concise access control switch power supply

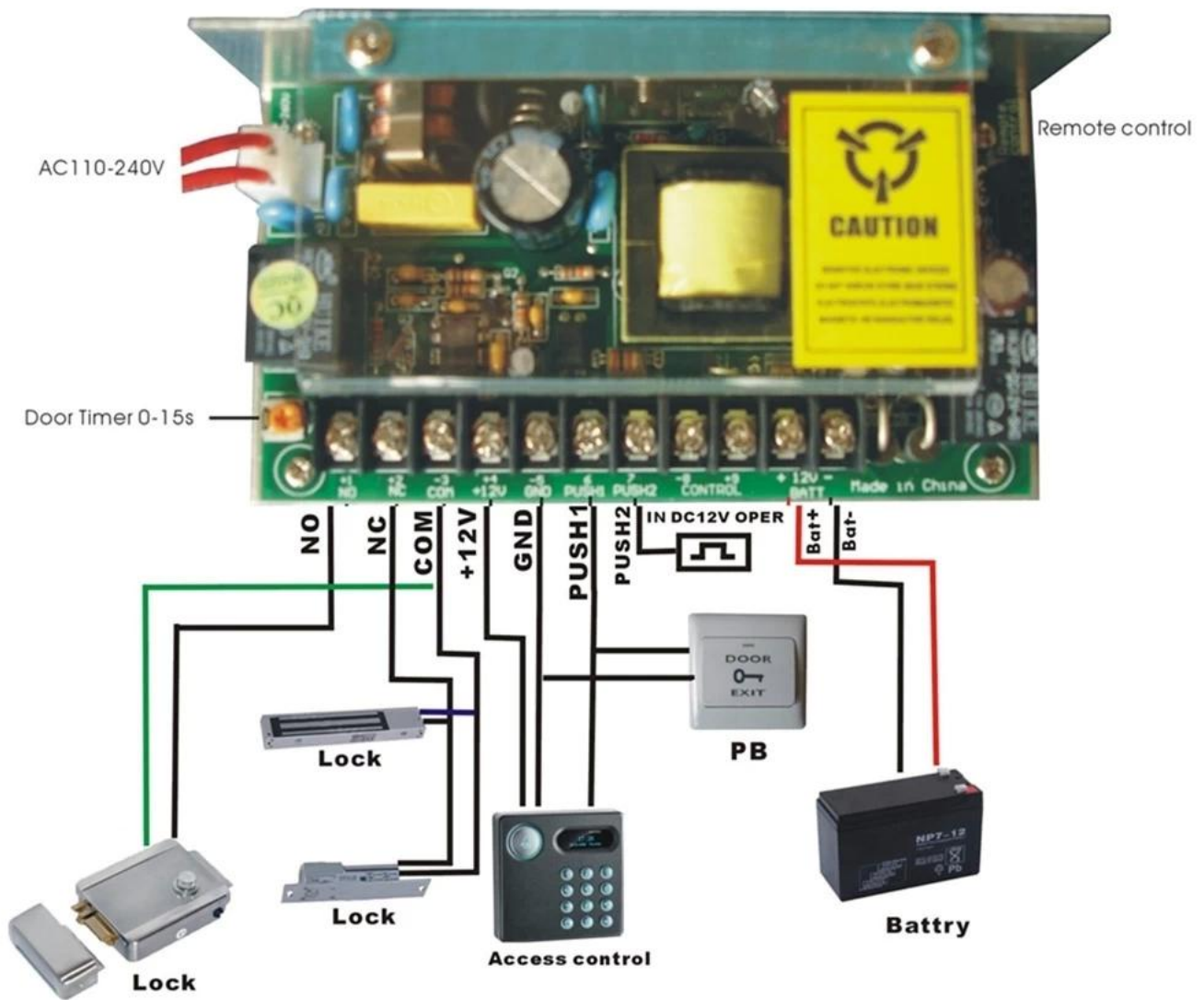
AC110V~240V input voltage

50~60Hz input frequency

DC 12V,5A output

Double side PC board,pure copper transformer

2 years quality warranty, welcoem OEM



listahan packaging	
Pangalan ng Produkto	EA-32A Concise Access control Power Supply para sa Access control system
Dami	41 PC ng bawat karton
carton laki	45 * 32 * 32 (cm)
timbang	15kg



WE LOGISTICS



• Office show

SMQT



• Exhibition

SMQT

2011 Brazil Fair



2012 Shenyang Fair



2013 Jinan Fair



2013 Shenzhen Fair



2012 Shenyang Fair



2013 Shenyang Fair



2013 Shenzhen Fair



2015 Shenzhen Fair



.....