

● Parameter

SMQT

| | |
|------------------|---|
| Dimension | 35.3L*28W* 6.4H (mm) |
| Coil chips | TK4100 |
| Frequency | 125KHz |
| Sensing distance | 2cm ~ 8cm |
| Materials | ABS |
| Optional color | Yellow, gray, purple, blue, black and red |

● Introduction

SMQT

ABS shell and fill epoxy encapsulated chip coil, and combine of ultrasonic welding shaped cards with various shapes.

Silk screen icon, marking; waterproof, dustproof, anti-vibration.

Working temperature is $-30^{\circ}\text{C} \sim +50^{\circ}\text{C}$.

Access attendance lock for induction proximity, door access control and so on.

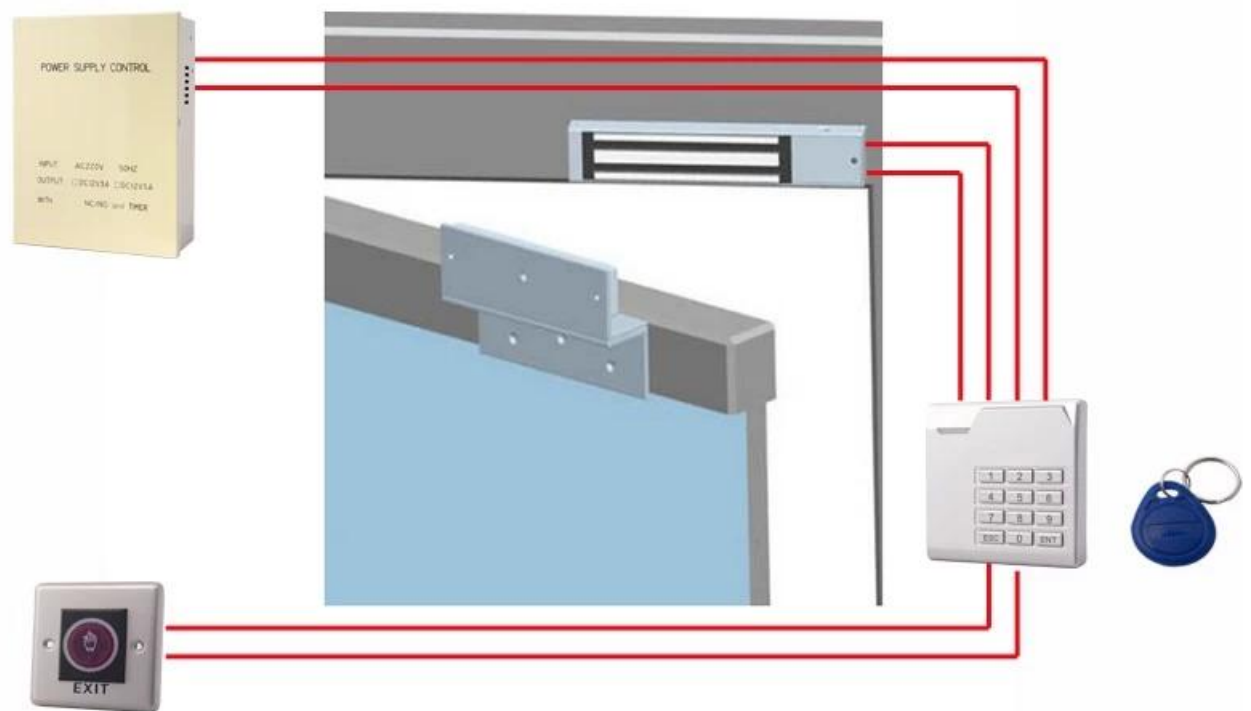
● Dimesion Picture

SMQT



● Installations

SMQT



● Features

SMOT

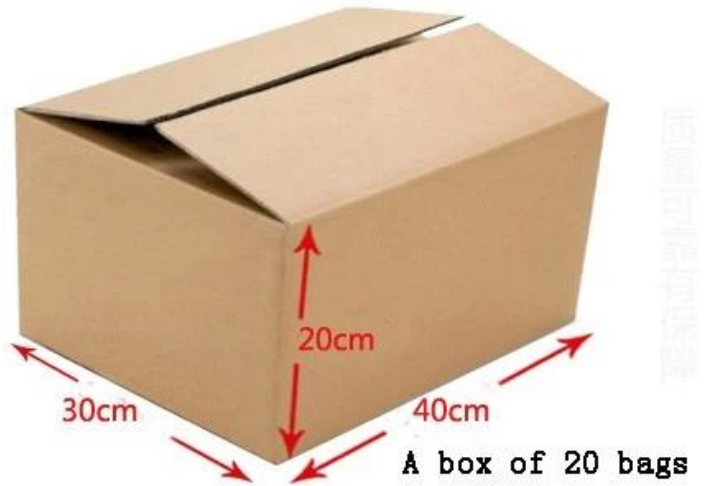
4100 chips [*High Sensitivity*]

Big pure copper coils|Strong anti-jamming

Industrial yellow glues to protect coil and IC component

● Packing list

SMOT



品質可靠有保證

| | |
|-----------------|-----------------|
| QTY | 2000pcs/CTN |
| Carton dimesion | 40L*30W*20H(cm) |
| Net weight | 12kg |





● Exhibitions



2011 Brazil Fair



2012 Shenyang Fair



2015 Jinan Fair



2013 Shenzhen Fair



2012 Shenyang Fair



2013 Shenyang Fair



2013 Shenzhen Fair



2015 Shenzhen Fair