

Ang OLED screen solong pag-access sa keypad ng control sa pag-access sa komunikasyon ng network ng RS485

SMQT®

New

Access control & Alarm product supplier





Main parameter

Power supply	DC 9-15V
Power consumption	< 1 W
Card type	13.56 MHz / 125 KHz (Optional)
Read range	5-8cm
Capacity of records	10000
Number of users	10000
Communication port	RS485
Transmit Rate	9600 bps (N, 8, 1)
LED Tips	Card flashing/keypad/doorbell
Data storage	4M bits FLASH Memory
Certification	Card flashing/ Card flashing+password/ User ID+password/ Public password
Clock	Yes
Reading tips	Beeper/OLED/LED
Dimension	96×96×22(mm)
Material	PC+ABS Screen: PMMA
Environment	-30℃to+65℃

MAIN PARAMETER NG MA-82DK'S

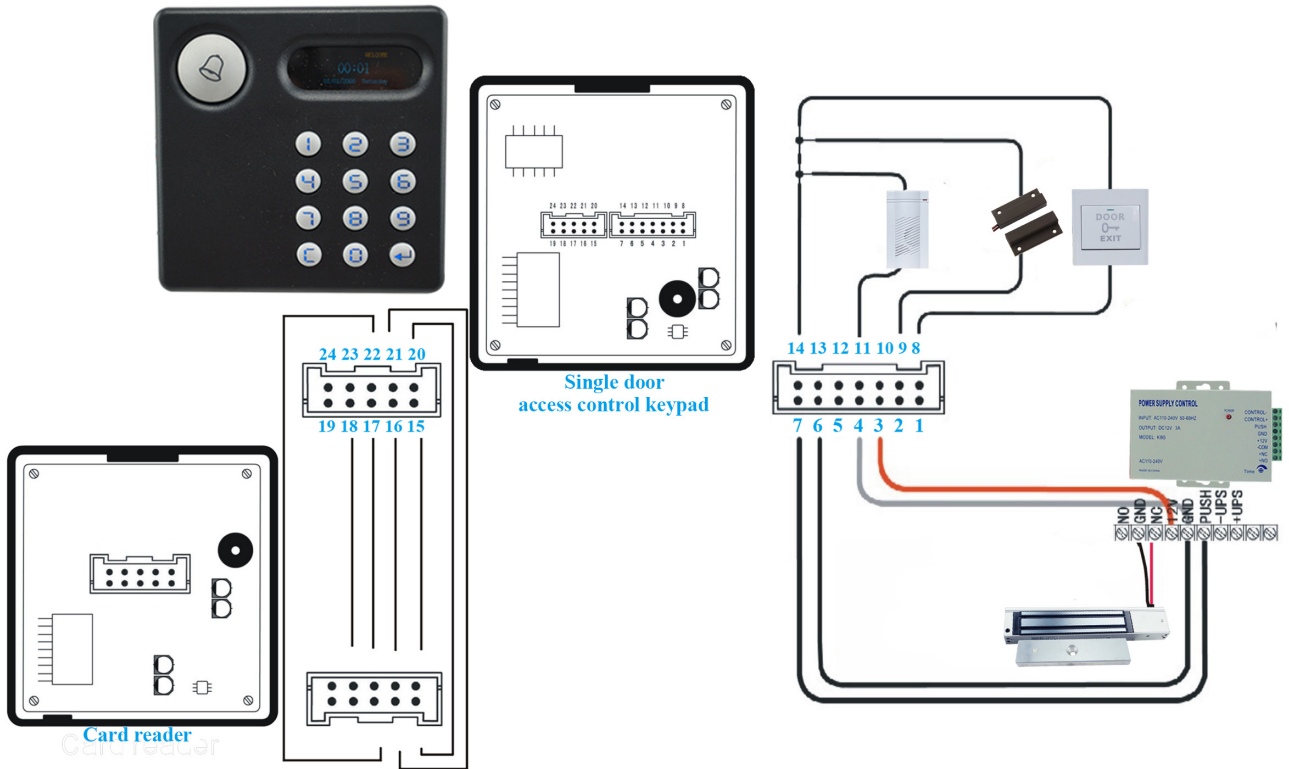
Pangalan ng Produkto: Ang OLED screen solong pag-access sa keypad ng control sa pag-access sa komunikasyon ng network ng R485

Numero ng modelo:	EA-83DK
Paggawa boltahe:	9 ~ 15V DC
Konsumo sa enerhiya:	<1W
Laki:	96× 96 × 22 (mm)
Kakayahang gumagamit:	10000 gumagamit
RFID card type:	ID (125Khz)
Distansya sa pagbabasa ng card:	3 ~ 5cm
Wire port:	I-lock, pindutan ng pinto, WG card reader, Door bell, Door sensor
Keyboard:	Magsuot-resisting button ng keypad
Application:	Sistema ng control control ng solong pinto
Angkop para sa:	Tanggapan, Pang-apartment, proyekto ng pag-access sa control ng ospital
Materyal:	ABS frame + PCB board + OLED screen (PMMA)
Timbang:	240g
Pakete:	Mga kahon ng papel na netral at karton ng papel 1 pcs bawat kahon, 37boxes bawat karton
Temperatura ng pagtatrabaho sa kapaligiran:	-35 °C ~ 65 °C
Paggawa ng kahalumigmigan:	20% ~ 80%
Garantiya:	1 taong warranty
OEM:	Maligayang pagdating OEM

Appearance

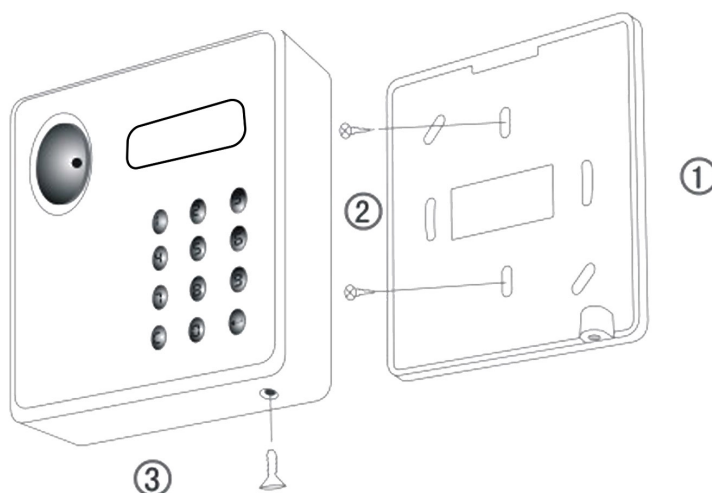
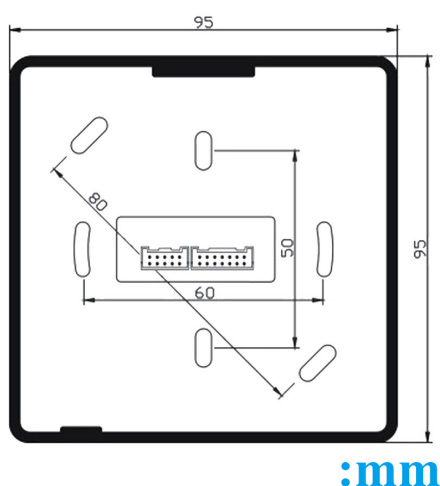


Wiring diagram



Wire port specification		
NO	Function	Description
1	RS485+	Data +
2	RS485-	Data -
3	12V+	DC Power 12V
4	GND	GND
5	OUT-NC	Door relay NC interface
6	OUT-COM.	Door relay COM interface
7	OUT-NO.	Door relay NO interface
8*	IN 1	Input 1, door release button input
9*	IN 2	Input 2, door magnet signal input
10*	IN 3	Input 3, user-defined
11	OC OUT	Build-in doorbell signal output
12*	OUT 2	OC signal, duress output
13*	OUT 3	OC signal, anti-tamper output
14	GND	GND
15	OUT 12V+	Power output, can be connected to WG reader power +
16	GND	Power output, can be connected to WG reader power GND
17	DATA 0	WG Data 0 input, connect reader Data 0
18	DATA 1	WG Data 1 input, connect reader Data 1
19	GND	GND
20	OC1-OUT	Unregistered card output, OC signal output for 3s after card flashing to open the door, can connect Green LED end of WG reader.
21	OC2-OUT	Unregistered card output, OC signal output for 3s after card flashing but not to open the door, can connect Red LED end of WG reader.
22	OC3-OUT	Unregistered card output, OC signal output for 3 times after card flashing to open the door, each interval time is 100ms, can connect Beeper end of WG reader.
23	NULL	N/A
24	ANTI-TAMPER-IN	Anti-tamper signal input, connect anti-tamper output signal of WG reader

Installation



PAANO TUNGKOL SA IBA PANG PILIPINO?

SMQT
铭汗科技



SMQT
铭汗科技



SMQT
铭汗科技



SMQT
铭汗科技



SMQT
铭汗科技



SMQT
铭汗科技



SMQT
铭汗科技



SMQT
铭汗科技



SMQT
铭汗科技

