

● Parameter

SMQT

operating Boltahe	CD12V
Electric lock output	3A
namamahinga Kasalukuyang	30mA
Alarm output	20A
Pagbabasa distance	ID 5-8cm IC 3-6cm
Output proteksyon oras short circuit	100us
Ang pag-iimbak user	2000
oras ng pagbubukas	0-99s adjustable
Ambient temperatura	-45 °C ~ 60 °C
Mga Dimensyon	120L * 58W * 18H

● Introduction

SMQT

Ang nag-iisang pinto access control na may hindi tinatagusan ng tubig function, standalone reader rfid function.It sa IC at ID mode.

New exterior design, Mercedes-Benz estilo, luxury, kapaligiran, matatag at ligtas.

Metal shell, hindi tinatagusan ng tubig anti-mapanira disenyo.

PC plastic selyadong, ganap na selyadong hindi tinatagusan ng tubig disenyo.

Protection Rating ng IP68.

Key backlight, madaling gamitin.

● Dimesion Picture

SMQT



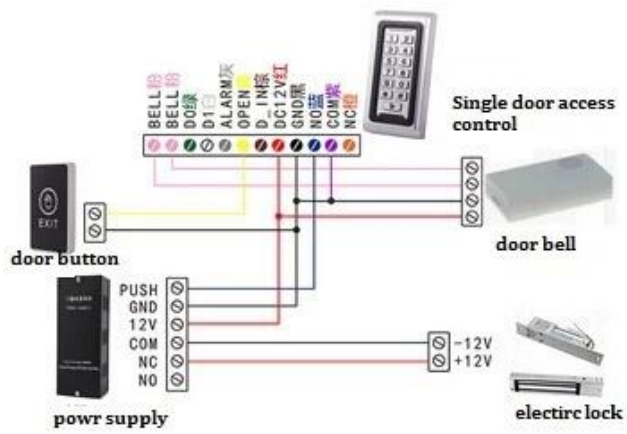
18mm

120mm

56mm

● Installations

SMQT®



● Features

SMQT®



● Packing list

SMQT



Dami	22 / box
Packing Mismong	52L * 29W * 12H (cm)

Packing timbang

12.32Kg

● Office

SMQT



● Exhibitions

SMQT

2011 Brazil Fair



2012 Shenyang Fair



2013 Jinan Fair



2013 Shenzhen Fair



2012 Shenyang Fair



2013 Shenyang Fair



2013 Shenzhen Fair



2015 Shenzhen Fair

.....