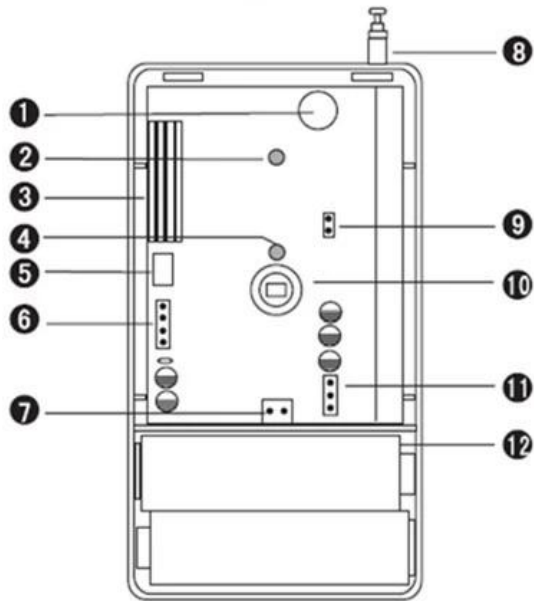


pangalan	Wireless PIR Detector
modelo	EB-187
Sukat:	107 × 59 × 39.5 (mm)
Operating boltahe:	3V DC (2AA baterya)
Static kasalukuyang:	≤25uA
Alarm kasalukuyang:	≤15mA
Tiktik distansya:	12m
Tiktik anggulo:	110 °
Pagpapadala dalas:	315MHz / 433MHz (2262 coding chip) (opsyonal)
Pagpapadala distansya:	200m (sa open area)
taas-install:	tungkol 2.2m
Mode Pag-install:	wall mount
Material:	hindi masusunog ABS pabahay

Ang wireless pir motion sensor ay passived infrared detector. The sensor sa 12v DC baterya boltahe pinamamahalaan.

## PRODUCT PROFILE



- |                   |                |
|-------------------|----------------|
| ① Filter          | ⑦ Power Switch |
| ② Alarm indicator | ⑧ Antenna      |
| ③ Code Jumper     | ⑨ LED Jumper   |
| ④ Low battery LED | ⑩ IR Sensor    |
| ⑤ Test button     | ⑪ Delay Jumper |
| ⑥ Range jumper    | ⑫ Battery      |

## ● Dimesion Picture

**SMQT**



## ● Installations

**SMQT**



## ● Features

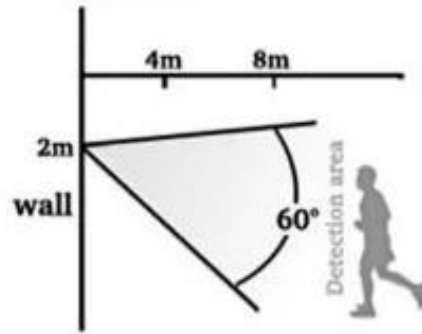
**SMQT**

1. ASIC Pinagtibay.
2. Auto temperatura kabayaran.
3. Send signal alarma sa pamamagitan ng RF.
4. Adjustable detecting distance.
5. Mababang baterya indikasyon.
6. SMT disenyo pinagtibay.

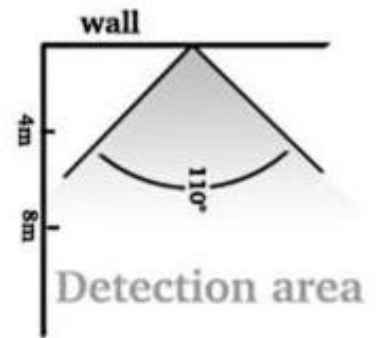


PIR sensor

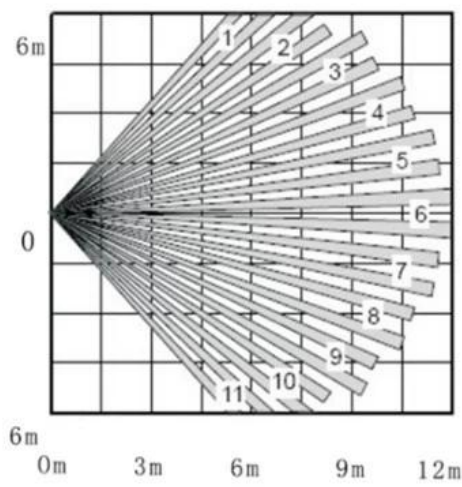
Side view



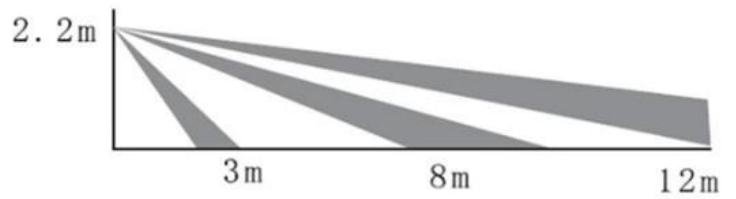
Overhead view



Detecting Area View



Planform



Side View

● Packing list

SMOT





QTY:	100 piraso / karton
Packing detalye:	0,55 * 0,41 * 0,29 m
Packing Timbang:	16.5kg / karton

● Office

SMQT



● Exhibitions

2011 Brazil Fair



2012 Shenyang Fair



2013 Jinan Fair



2013 Shenzhen Fair



2012 Shenyang Fair



2013 Shenyang Fair



2013 Shenzhen Fair



2015 Shenzhen Fair

.....