

• *Parameter*

SMQT

Pangalan ng Produkto	Access Control Lumipat Power Supply
Model number	EA-37A
Mga Dimensyon	180L * 80W * 60h (mm)
Ang output boltahe	DC12V
output kasalukuyang	3A
output contact	12V / GND / PUSH / HINDI / GND / NC / + PUSH / GND
Delay setting	0-15s
espesyal na idinisenyong	Itim na kulay, double-pane glass, tanso transpormador, bakal shell
seguridad function na	Short circuit proteksyon, anti-trapiko
saklaw	Access control, gusali ng mga sistema intercom, pinto button maaaring ma-access
Opsyonal	remote control

• *Introduction*

SMQT



hindi tinatagusan ng tubig uninterruptible power supply controller China magamit sa pinto access control system unit.

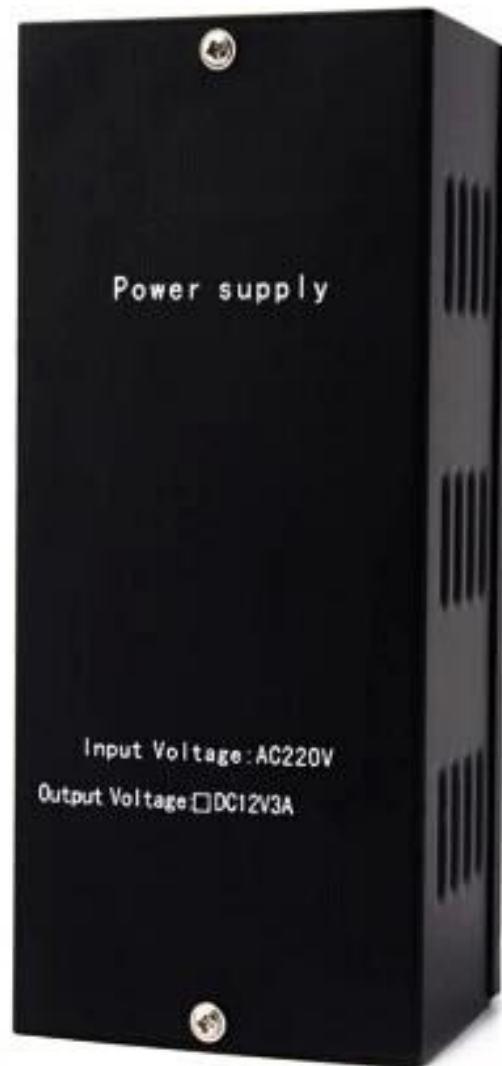
• Dimension

SMQT



• Feature

SMQT



Access control uninterruptured switch power supply

AC 220V input voltage

DC 12V,3A output

0~15s time delay(adjustable)

Pure black color,double face PC board,

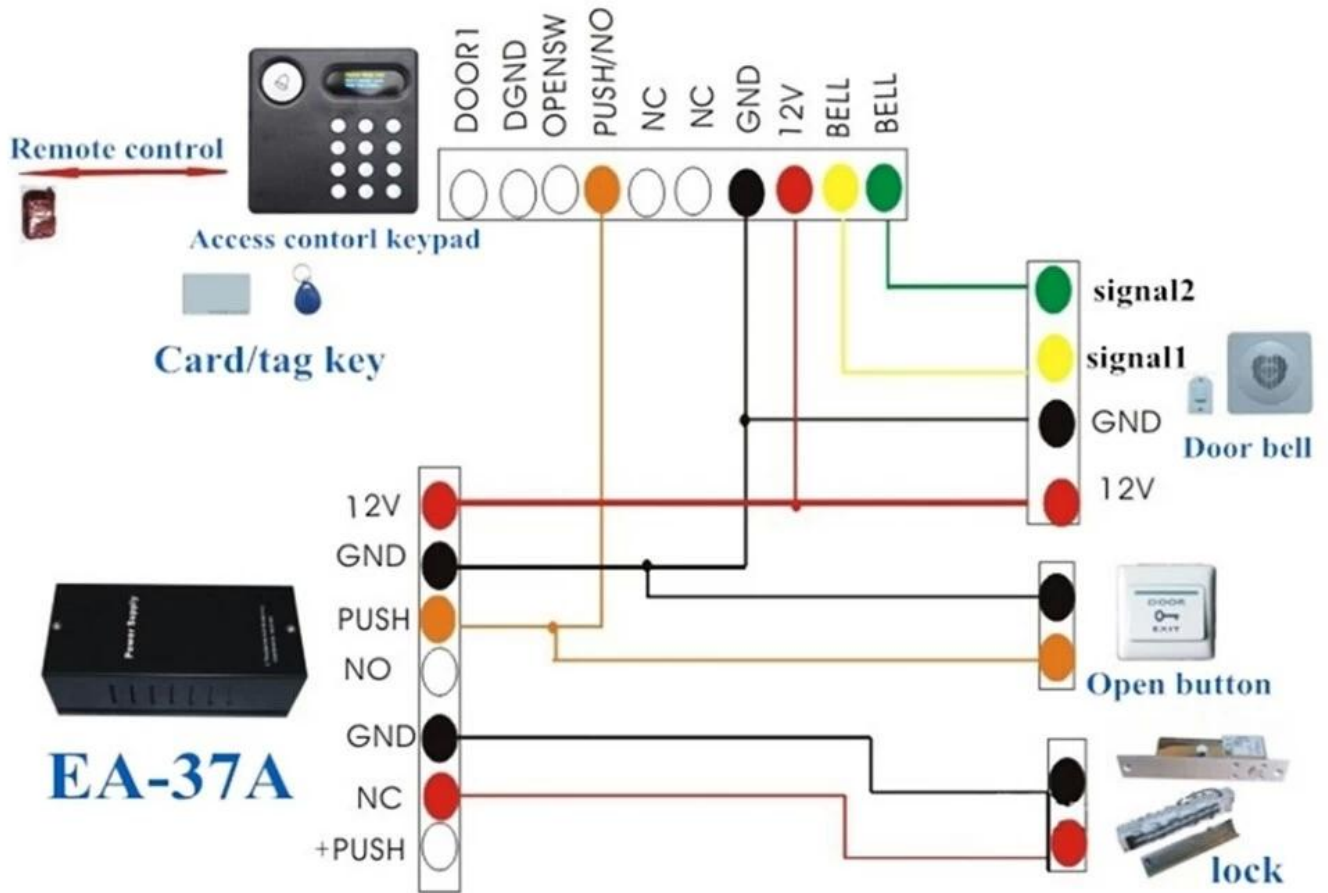
pure copper transformer

Remote control function is optional

Suitable for access control system,

door phone system

Two years warranty welcome OEM



• *Packaging & shipping*



● *Office show*

SMQT®



● *Exhibition*

SMQT®

2011 Brazil Fair



2012 Shenyang Fair



2013 Jinan Fair



2013 Shenzhen Fair



.....



2012 Shenyang Fair



2013 Shenyang Fair



2013 Shenzhen Fair



2015 Shenzhen Fair