

model	ABE
detecting distance	Indoor: 150m 300m 450m 600m 750m Outdoor: 50m 100m 150m 200m 250m (optional)
operating voltage	13.8 ~ 24VDC 11 ~ 28VAC
operating current	40-65mA
indication speed	50 ~ 700m / sec
Anti-demolition output	NC
Environment temperature	-20°C~ + 50 °C
Alarm output	NO / NC
Level adjustment	180 ° ± 90 °
Vertocal adjustment	± 10 °
color	black
material	PC resin

Photoelectric sensors infrared laser beam is waterproof security infrared beams for your apartment. It is safety for your home.

Sealed integration structure has the ability to work in harsh environment.

Confronted with fog or inclement weather, the detector will automatically regulate the sensitivity (AGC circuit).

Easy to adjust and calibrate the horizontal / vertical optical angle.

Built-in integrated optical telescopes, use the professional anti-jamming jacket.

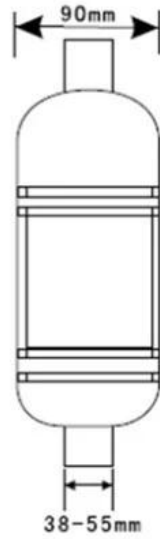
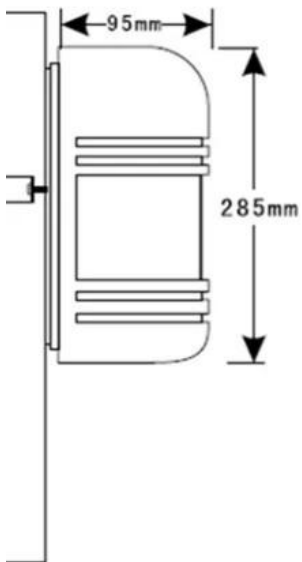
Anti-lightning circuit design.

High power infrared receiver tubes, low-power digital.



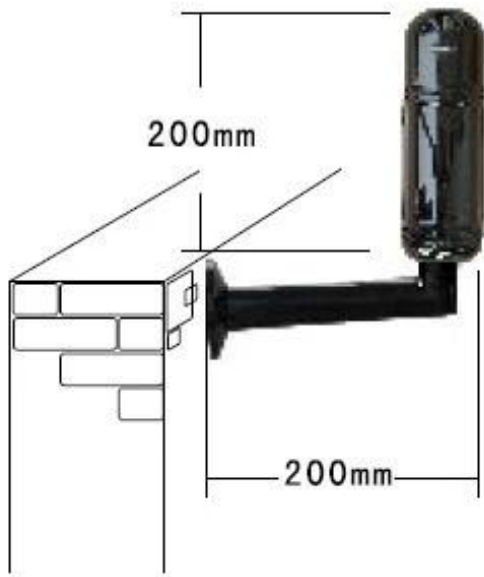
## ● Dimension Picture

SMQT®



## ● Installations

SMQT®



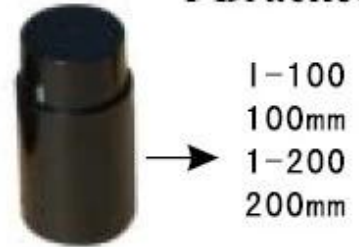
**Optional Bracket Accessories: T Bracket**

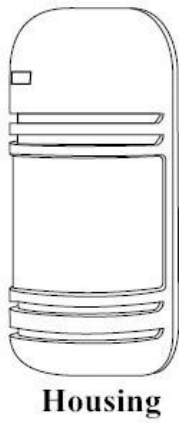
T-200      T-100  
 200×120mm    100×120mm

**L Bracket**

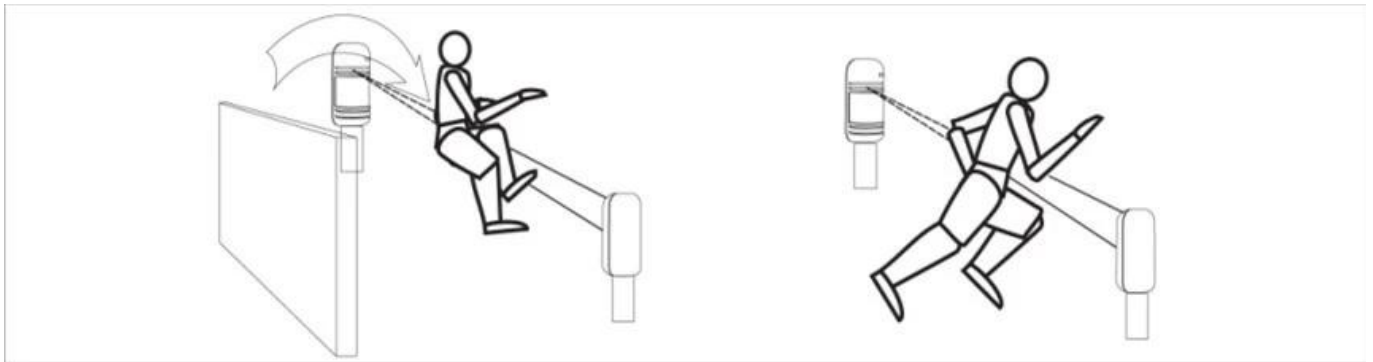
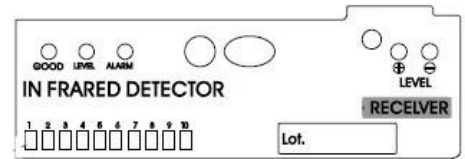
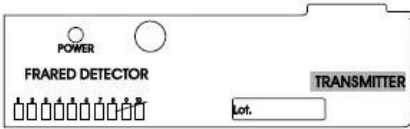
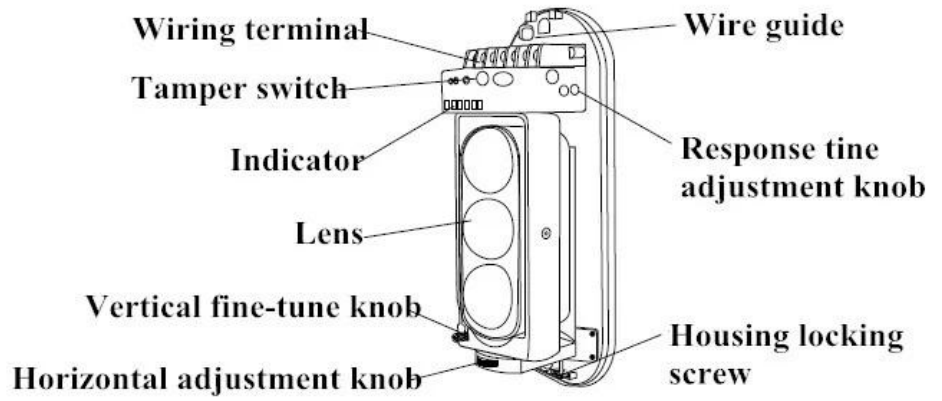


**I Bracket**





Housing



High speed

Fast running (6.9m/s)

Fast walking (1.2m/s)

Normal walking (0.7m/s)

Slow walking (0.4m/s)



● Packing list



6





● Exhibitions



2011 Brazil Fair



2012 Shenyang Fair



2013 Jinan Fair



2013 Shenzhen Fair



2012 Shenyang Fair



2013 Shenyang Fair



2013 Shenzhen Fair



2015 Shenzhen Fair

.....