

● Parameter

SMQT

| | |
|-----------------------|--|
| Product Size | 90L * 65W * 25.5H (mm) |
| External power supply | DC9V |
| Interface Features | Interface compatible with EIA / TIA RS-232C, RS-485 / RS-422 standard |
| Electrical Interface | RS-232C interface DB9 female connector port, RS-422 / RS-485 Interface DB9 female connector and is equipped with six terminals |
| Transmission rate | 300-115.2KBPS |
| Signal indication | Three signal lights TXD RXD POWER |
| Transmission medium | Shielded twisted pair wire |
| Protection class | RS-232 interface \pm 15KVESD protection, RS-422 / RS-485 interface to 600W per line lightning surge protection |
| Isolation | 3500VRMS |
| Isolation Voltage | 500VDC continuous |
| Environment | 5% to 95% |
| Operating temperature | 0 °C ~ 50 °C |

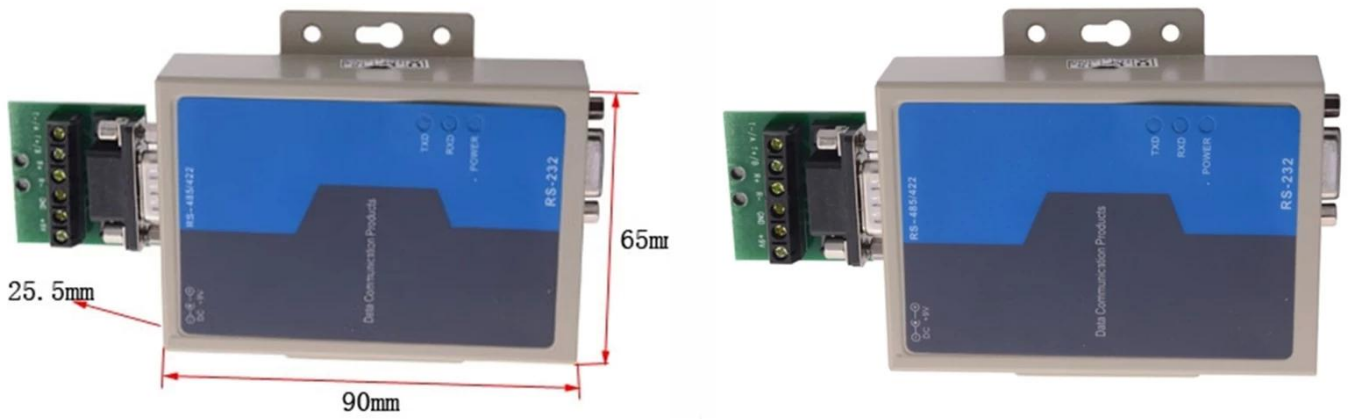
● Features

SMQT

1. compatible with RS-232, RS-485 TIA / EIA standard
2. automatic send / receive data, without external flow control signals (RTS)
3. Transfer rate: 115.2KBPS to 300M
38.4KBPS to 2.4KM
9600BPS to 5KM
4. be able to connect 32 RS-485 or RS-422 interface devices
5. Power and data flow indicator color, the point of failure can be detected
6. Working mode: asynchronous half-duplex (RS-485) or asynchronous full duplex (RS-422)
Universal, no jumper settings
7. The optical isolation (isolation voltage 2.5KVrms / 500VDC insulation), RS-485/422 provide 600W per line lightning protection and prevention were interference
8. Electrical Interface: RS-232C interfaces DB25 female connector, RS-485/422 interface 4-bit terminal block and RJ-11 Zuo
9. Transmission media: twisted pair or shielded cable
10. Dimensions: 75mmX55mmX18mm
11. Use of the environment: -25 °C to 70 °C, relative humidity of 5% to 95%
12. Power supply: 9VDC / 200mA (dedicated internal power regulator module)
13. applies to all communication software, plug and play
14. Support DOS / WIN95 / WIN98 / WIN2000 / NT / XP / Vista / Linux, etc.

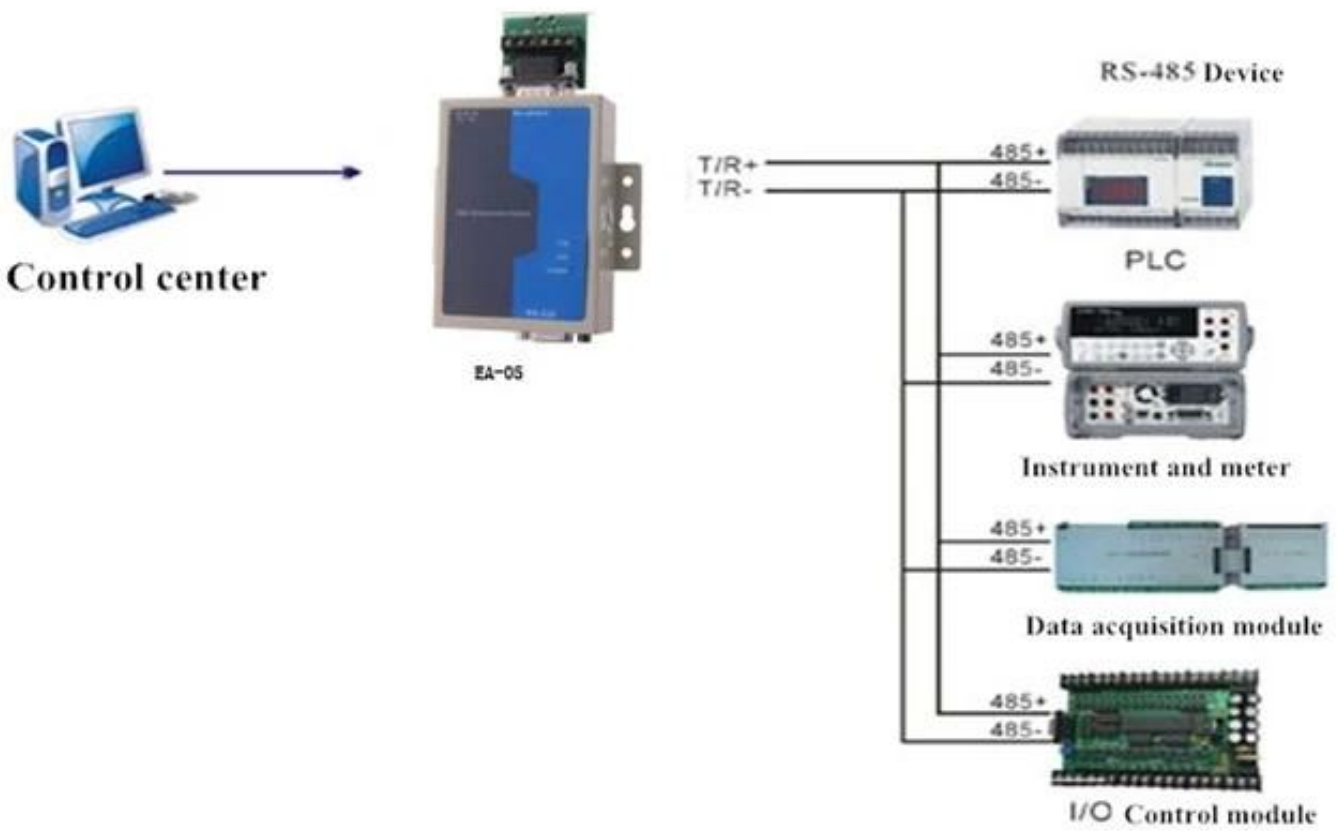
● Dimesion Picture

SMQT



● Installations

SMOT



● Packing list

SMOT



| Packaging List | |
|------------------------|----------------------------|
| Qty | 20 pcs/CTN |
| Packing Specifications | 42.8L * 36.6W * 29.8H (cm) |
| Packing weight | 13.22Kg |

Office

SMQT



Exhibitions

SMQT

2011 Brazil Fair



2012 Shenyang Fair



2013 Jinan Fair



2013 Shenzhen Fair



.....



2012 Shenyang Fair



2013 Shenyang Fair



2013 Shenzhen Fair



2015 Shenzhen Fair