

SMQT DC 12V 5A metal box provides power for one-door access control system

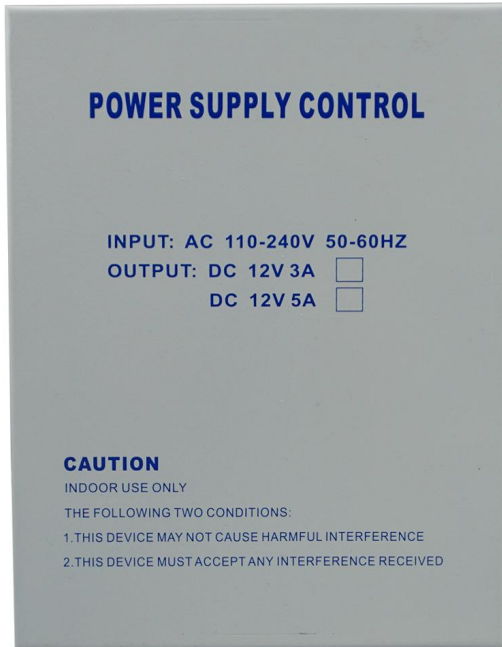


Name	SMQT DC 12V 5A metal box provides power for one-door access control system
Paradigm	EA-32B
Size	210 × 166 × 70 (mm)
Input voltage	AC110V ~ 240V
Input frequency	50 ~ 60Hz
Output voltage	DC 12V
Output current	5A (default) / 3A accept OEM
Output power	60W
High voltage accuracy	first%
Output protection	Short circuit protection and overload
Time relay	Adjust 0 ~ 15 seconds
Consistent with	One-stop access control or doorphone system
Optional function	Remote control
Material	Double sided PC board Pure copper transformer Metal casing
Weight	1.05kg

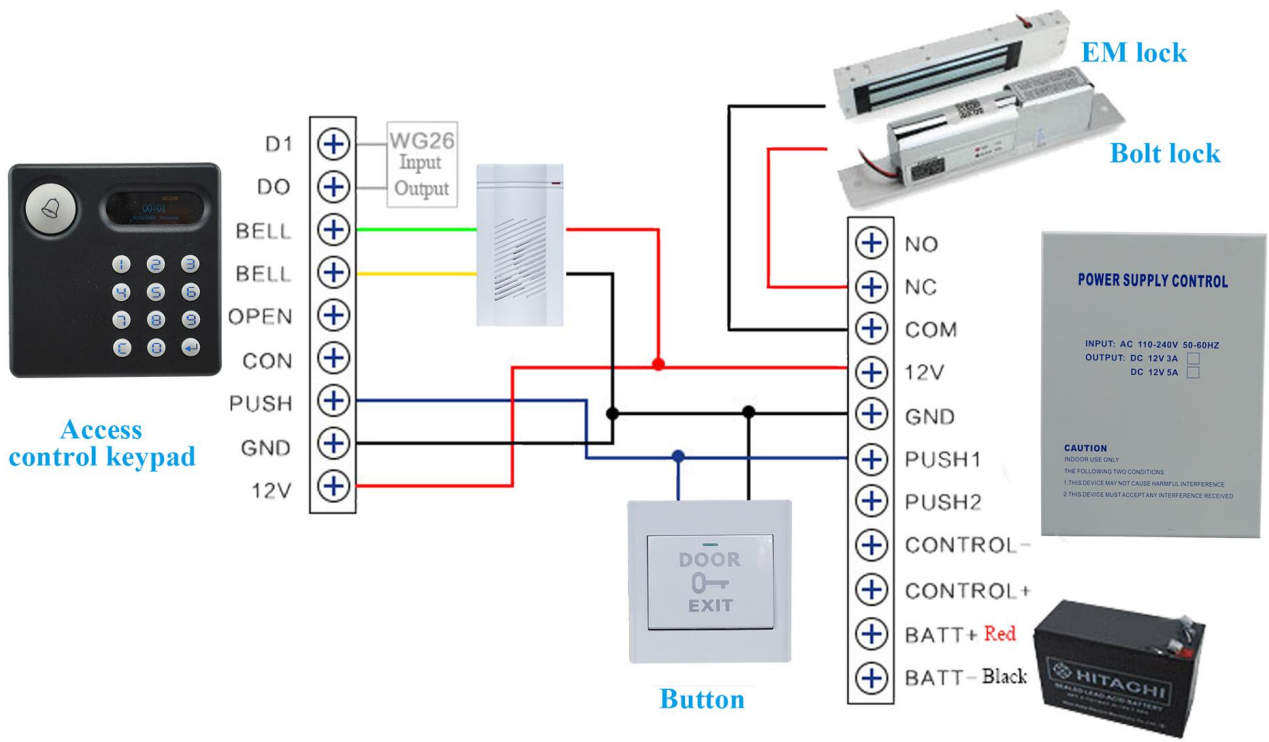
Environment temperature -30 ° C to + 60 ° C

Guarantee 2 years

Appearance



Wiring diagram



How about other choices?

SMQT
铭汗科技



SMQT
铭汗科技



SMQT
铭汗科技



SMQT
铭汗科技



SMQT
铭汗科技



SMQT
铭汗科技



SMQT
铭汗科技



SMQT
铭汗科技



SMQT
铭汗科技

