

---

## ● Parameter

SMQT

Dimensions	224L * 224W * 83H (mm)
The output voltage	DC12V
Output current	5A
Output Power	60W
Delay setting	0 ~ 10s
Specially designed	Double-pane glass, copper transformer, steel shell
security function	Short circuit protection, charge-discharge protection
Scope	Access control, building intercom system
Can be accessed by backup battery	12V 7AH

---

## ● Introduction

SMQT

The power supply unit 12v 5A suit for the Access Control and door phone System.The ups with led light and metal case from ups manufacturer.

Built-in surge protection, short circuit protection function, high degree of protection.

Built-in remote control module interface, it can be inserted directly into the remote module, access control system, remote keyless entry.

Backup power supply can be built-in battery, the battery is fully charged automatically stop protection.

With high-grade components, the use of international advanced technology and manufacturing processes, quality assurance.

Suitable for building intercom, access control various entrances and exits.

---

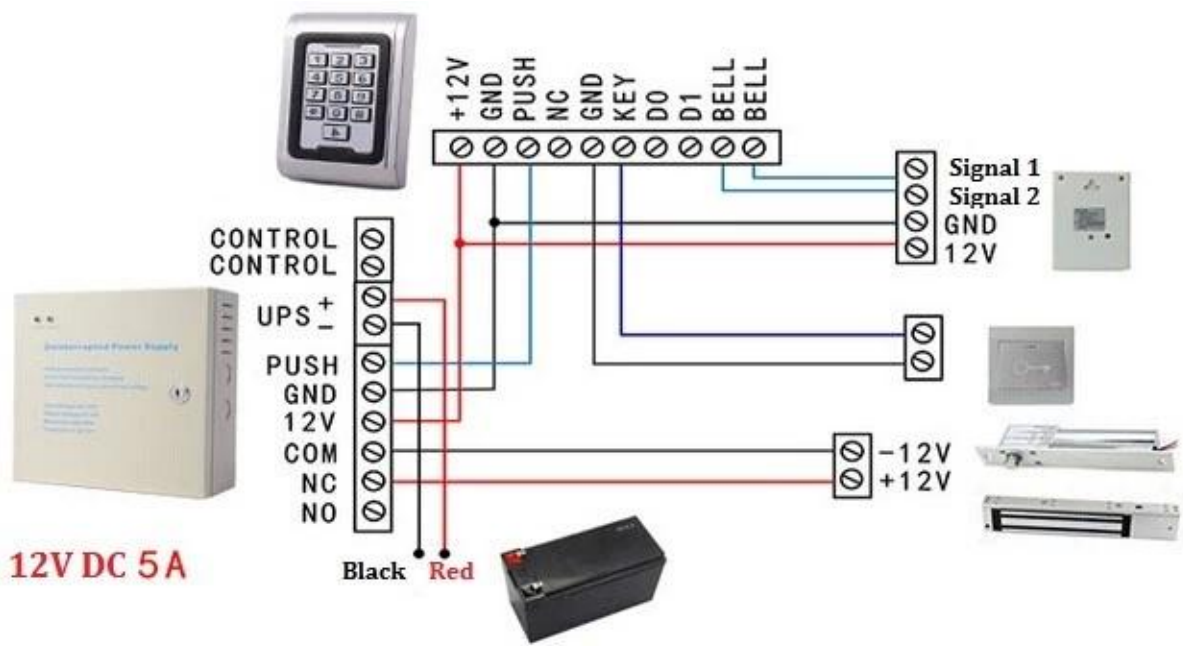
## ● Dimesion Picture

SMQT



● Installations

SMOT

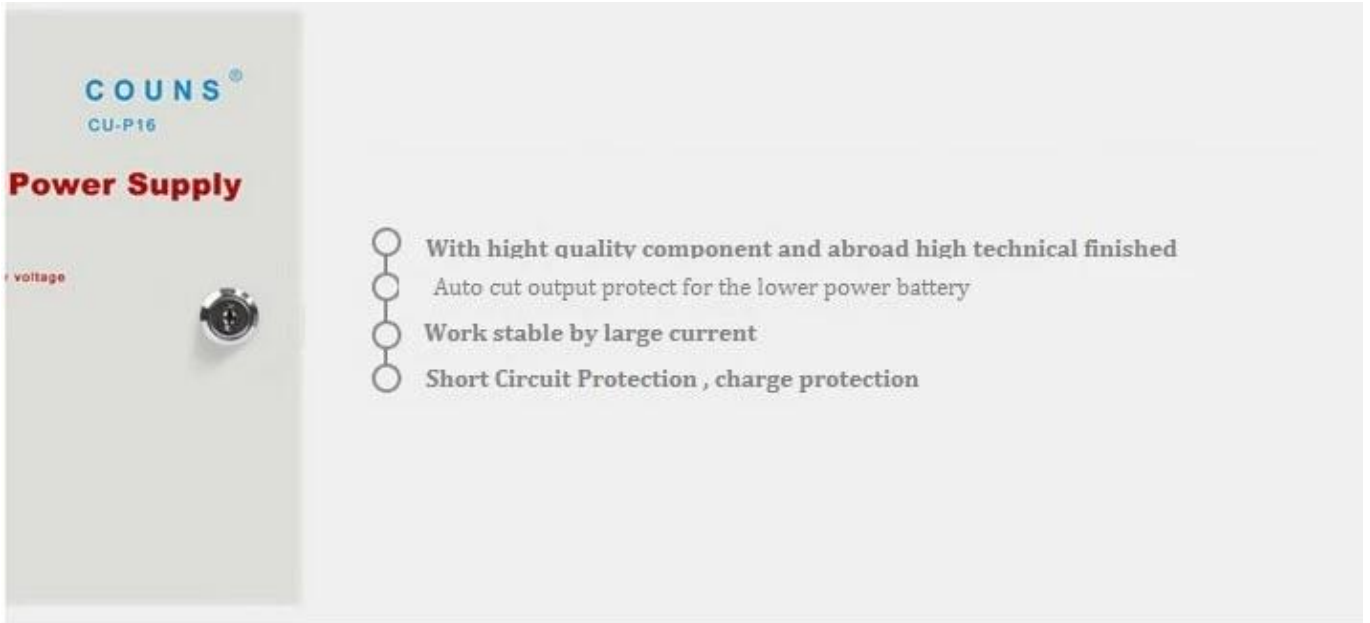




● **Features**

**SMQT**





● Packing list

**SMQT**



Qty	10 / box
Packing Specifications	50.5L * 39.5W * 33H (cm)
Packing weight	28Kg

● Office

**SMQT**



● Exhibitions



2011 Brazil Fair



2012 Shenyang Fair



2013 Jinan Fair



2013 Shenzhen Fair



2012 Shenyang Fair



2013 Shenyang Fair



2013 Shenzhen Fair



2015 Shenzhen Fair

.....