

● Parameter

SMQT®

Product Parameter	Parameter Description
Dimension of main body	206Lx44.5Wx68H (mm)
Width of doormax	1050mm
Weight of door max	60-85kg
Ack-check Function	NO
Max open angle	180
Closing speed adjustment	Spee1:180°-15° ; Speed2:15°-0°
Applicable temperature	-20°C-45°C
Applicability	left open or right open door
Passed durability test	1□000□000 cycles
Weight	2kg

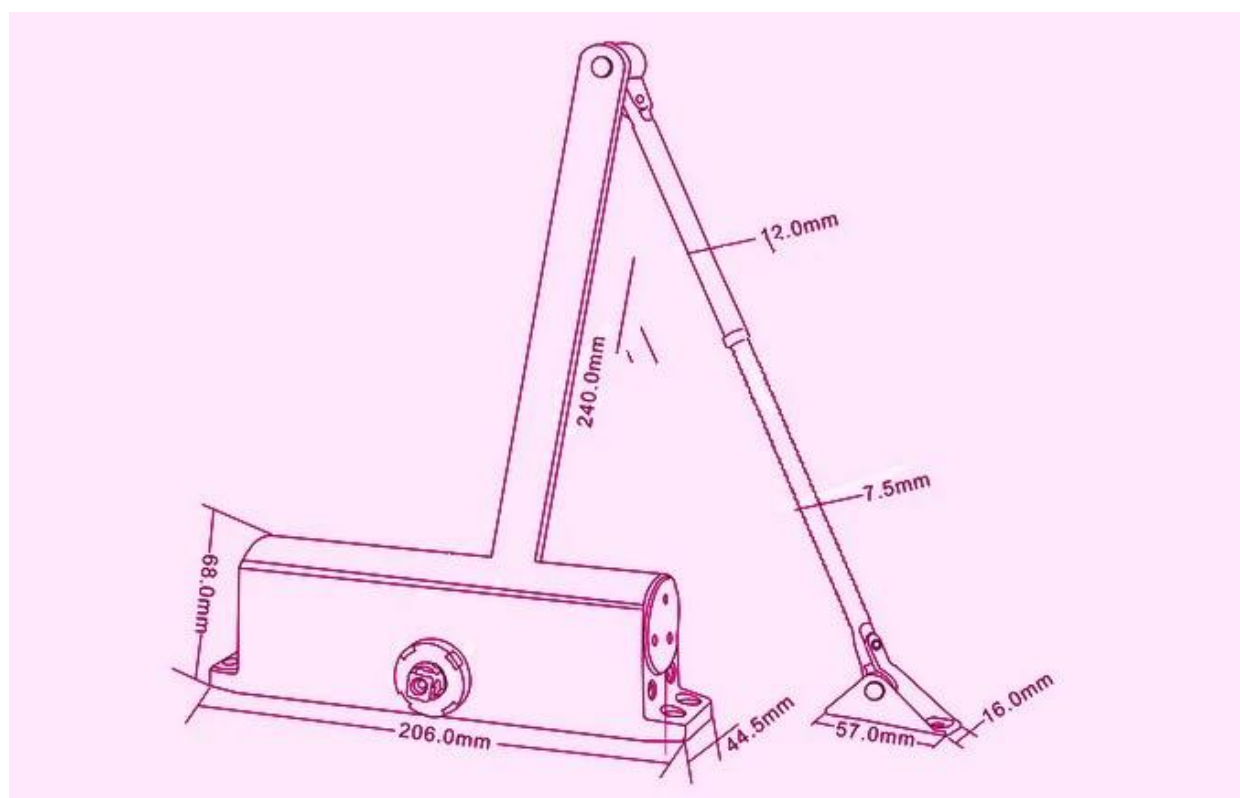
● Introduction

SMQT®

Door closer is installed at the top of the door leaf with single opening, is applicable to wooden door□steel door and fire door. Applicable to single door with the maximum door width of 1050mm and door weight of 60-85kg.

● Dimesion Picture

SMQT®



● Packing list

SMQT®

QTY/CTN	10
Demision(L*W*H)(cm)	56*34*18
Gross Weight(kg)/CTN	17.0

● Office

SMQT®



● Exhibitions

SMQT®

2011 Brazil Fair



2012 Shenyang Fair



2013 Jinan Fair



2013 Shenzhen Fair



2012 Shenyang Fair



2013 Shenyang Fair



2013 Shenzhen Fair



2015 Shenzhen Fair