

EA-93K waterproof ic 13.56Mhz door access control smart card reader



EA-93K's Main Parameter

Specification	
Model	EA-93K
Dimension	96×96×22(mm)
Working voltage	12V ± 3VDC
Power consumption	<1w
Card type	13.56Mhz IC
Read range	60mm
Cable distance	150m
Communication mode	WG26/WG34
Transmitting rate	1bit/ms
Keypad output	4bit/8bit
Shell material	PC
Color	Black/White(optional)
Suit for	home/ office door access control system
Environment temperature	-30 °C~65 °C
Net weight	0.2kg

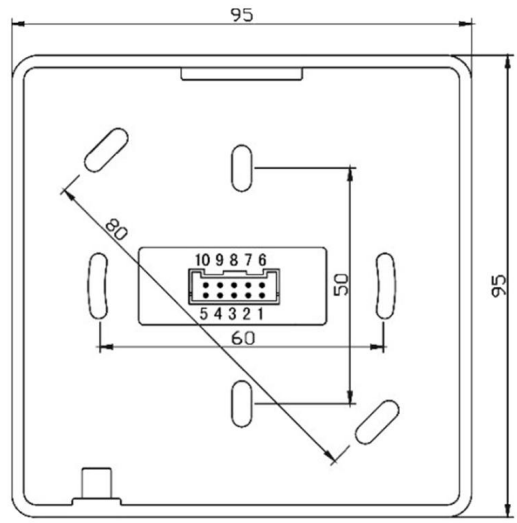
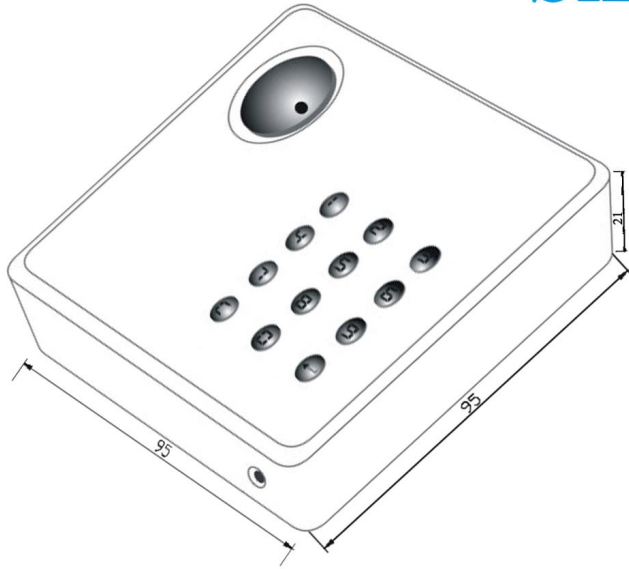
1. Appearance design is unique, the shell adopts grind arenaceous processing, comfortable feel; With OLED display screen, under the bright light would not be reflective and with a perpetual calendar (directly set on card reader).

2. Using laser carving techniques, the Numbers on the keyboard wear-resisting, use for a long time will not fade; Keyboard with breath background of energy saving lamp, and a door bell button (door bell signal output), appears more fashionable.
3. Wiegand 26/34 Communications, can through the software to convert.
4. Safety performance is high, with reverse current protection, tamper device, lightning protection.
5. Accord with Europe/Asia back box size design installation, easy to connect wire.

Appearance

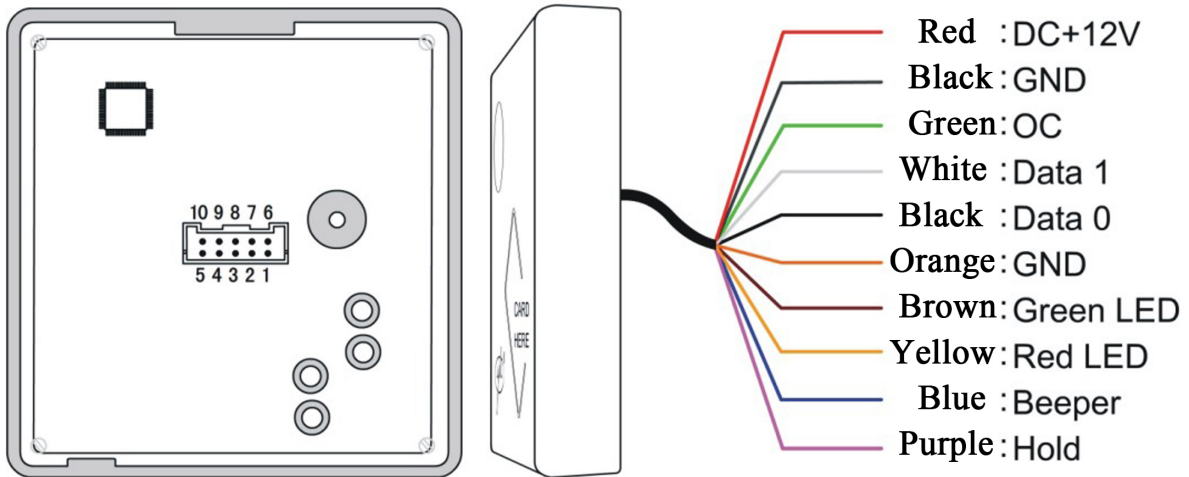


Size



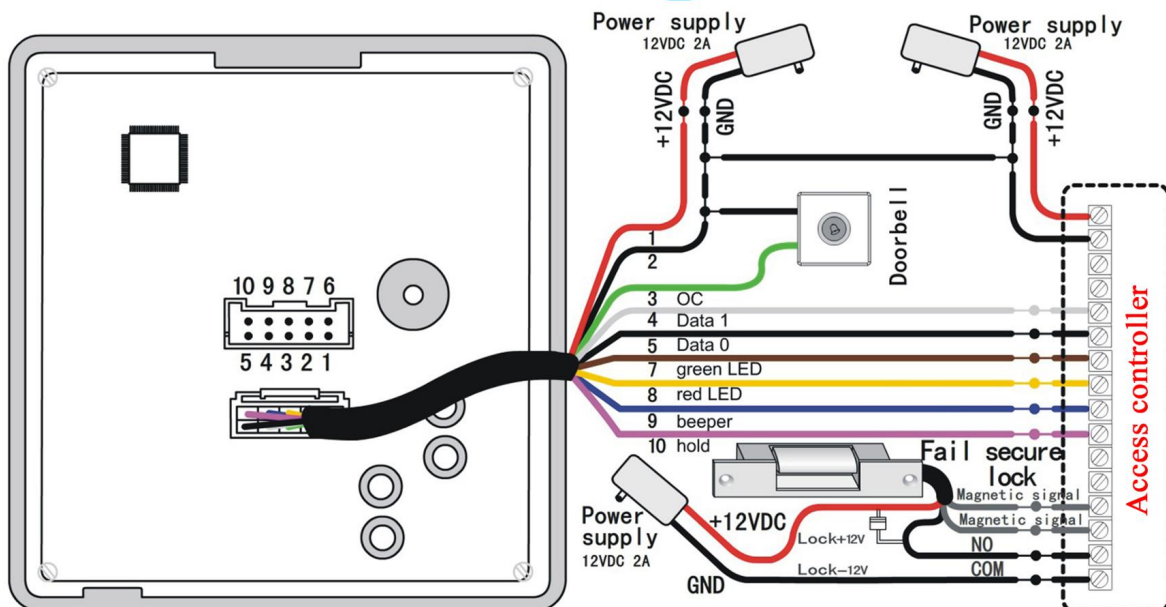
mm

Wire port introduction

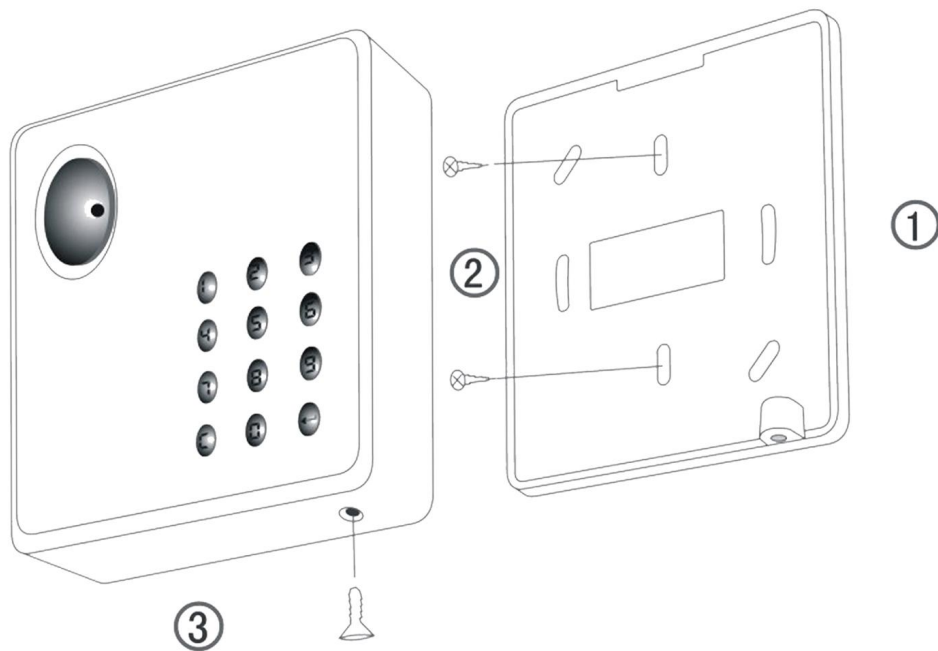


NO	Color	Function	Description
1	Red	12V+	DC Power 12V
2	Black	GND	DC Power 0V
3	Green	OC OUT**	OC Out to output doorbell signal or anti-tamper signal
4	White	DATA1	Wiegand DATA1 Output
5	Black	DATA0	Wiegand DATA0 Output
6	Orange	GND	Signal Grounding
7	Brown	Green LED*	Grounding to display 1 st message and green LED lights up
8	Yellow	Red LED*	Grounding to display 2 nd message and red LED lights up
9	Blue	Beeper	Beeper controller, grounding to work
10	Purple	Hold	Card reading controller, grounding to stop therefore reading

Wire diagram



Installation



Brand	SMQT/ OEM
Main product	Access control and Alarm products
Product detail	Access control: Standalone controller, Card reader, Access control power supply, Door release button, Smart card, tag key, Door sensor, EM lock, Electric Bolt lock etc. Alarm: Alarm panel, PIR sensor, Emergency button, Door sensor, Siren, Alarm system kit etc
Quality gurantee peroid	2 years
Other service	OEM &OEM, Customized Specification, One to One Communication
Certificate	CE, Rosh
Production capacity	1000pcs per month
Lead time	7-15 days
Payment term	T/T, Western union, Paypal, Cash etc