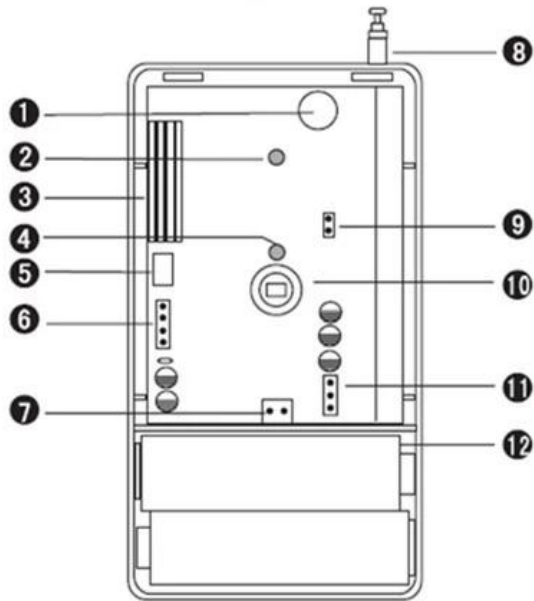


Name	Wireless PIR Detector
Model	EB-187
Dimension:	107×59×39.5(mm)
Operating voltage:	3V DC(2AA battery)
Static current:	≤25uA
Alarm current:	≤15mA
Detecting distance:	12m
Detecting angle:	110°
Transmitting frequency:	315MHz /433MHz (2262 coding chip )(optional)
Transmitting distance:	200m(in open area)
Installation height:	about 2.2m
Installation Mode:	wall mounted
Material:	fireproof ABS housing

The wireless pir motion sensor is passived infrared detector.The sensor with 12v DC voltage battery operated.

## PRODUCT PROFILE



- |                   |                |
|-------------------|----------------|
| ① Filter          | ⑦ Power Switch |
| ② Alarm indicator | ⑧ Antenna      |
| ③ Code Jumper     | ⑨ LED Jumper   |
| ④ Low battery LED | ⑩ IR Sensor    |
| ⑤ Test button     | ⑪ Delay Jumper |
| ⑥ Range jumper    | ⑫ Battery      |

## ● Dimesion Picture

**SMQT**



## ● Installations

**SMQT**



## ● Features

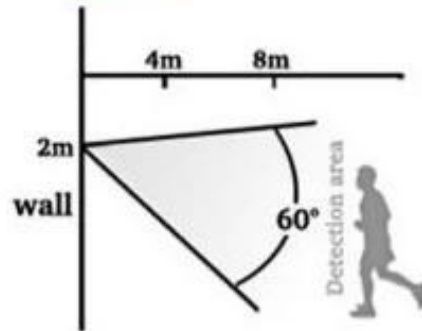
**SMOT**

1. ASIC Adopted.
2. Auto temperature compensation.
3. Send alarm signal by RF.
4. Adjustable detecting distance.
5. Low battery indication.
6. SMT design adopted.

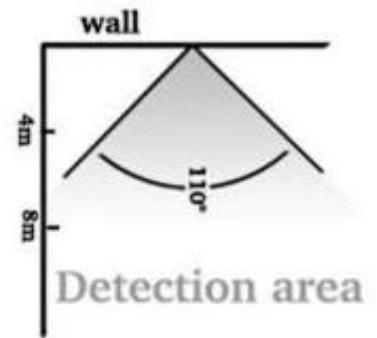


PIR sensor

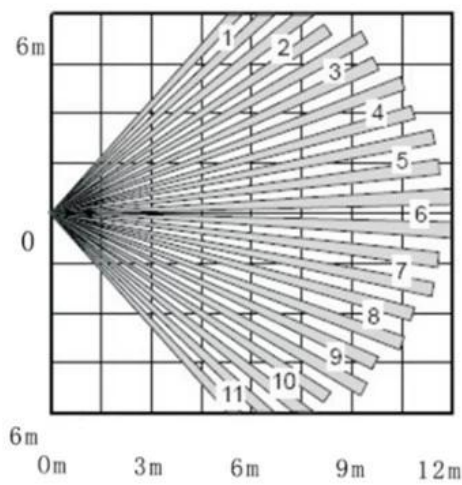
Side view



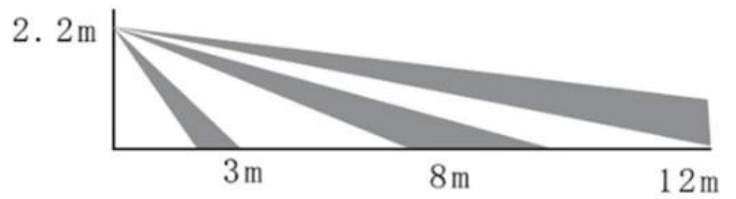
Overhead view



Detecting Area View



Planform



Side View

● Packing list

SMOT





QTY:	100 pieces/carton
Packing Specification:	0.55*0.41*0.29 m
Packing Weight:	16.5kg /carton

● Office

SMQT



● Exhibitions

2011 Brazil Fair



2012 Shenyang Fair



2013 Jinan Fair



2013 Shenzhen Fair



2012 Shenyang Fair



2013 Shenyang Fair



2013 Shenzhen Fair



2015 Shenzhen Fair

.....