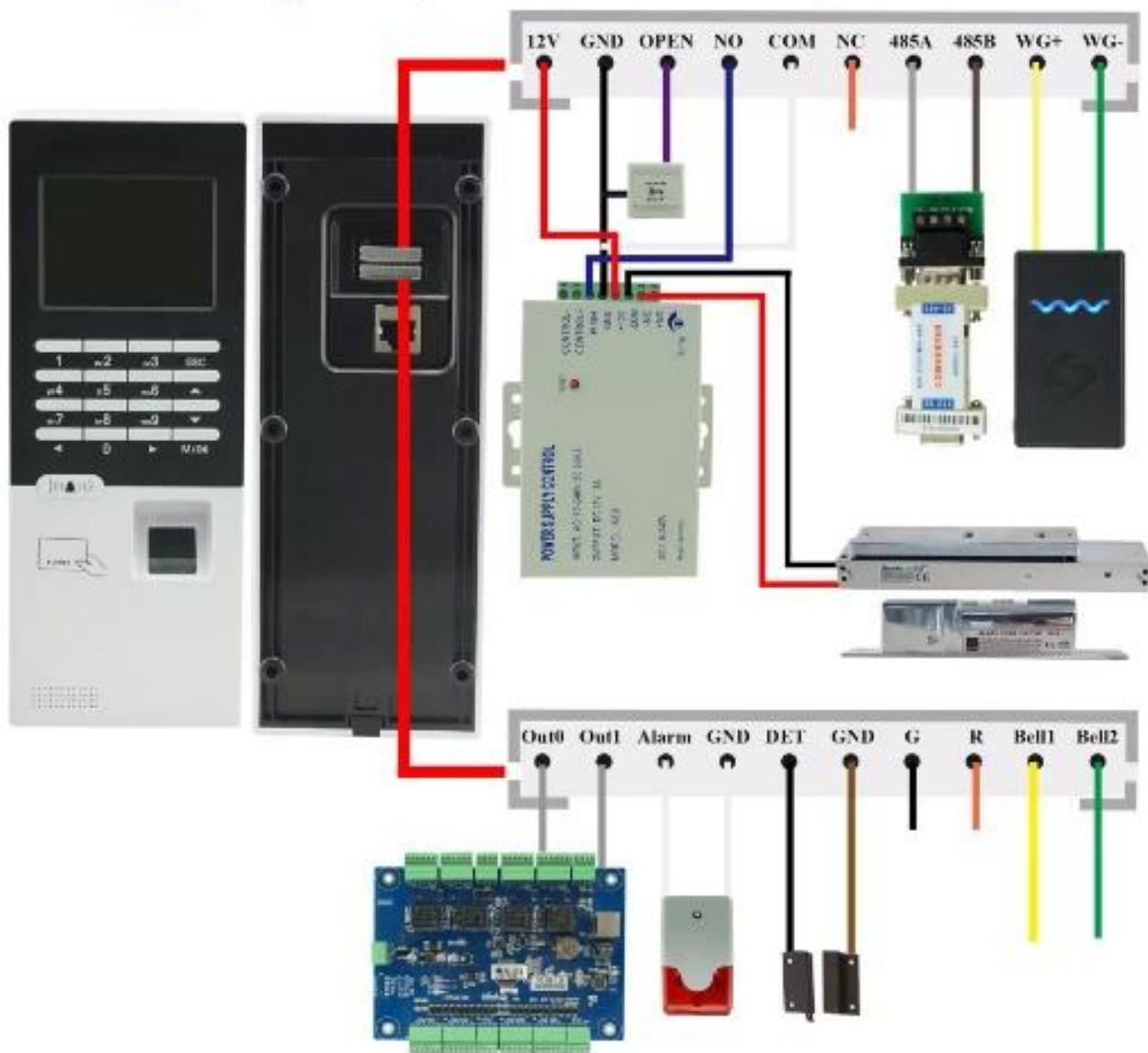




Name:	Fingerprint access control time attendance keypad		
Model Number:	EA-904	CPU:	400MHz
Operating System:	Linux	Algorithm Version:	Version 10.93 quad Core
LCD Dimension:	2.8" TFT color display	Verification Speed:	0.6sec
Fingerprint Capacity:	3000(10000/30000/50000 are customized)	Transaction Capacity:	80000/120000/300000
Communication Format:	RS485,TCP/IP, USB,USB driver	Verification Mode:	fingerprint, RFID card, password
Language:	English, Chinese, etc.	Dimension:	220mm*80mm*26mm
Working voltage:	5VDC	Authentication method:	fingerprint, password, card
Size:	175mm*120mm*30mm	User capacity:	1000 fingerprint +1000 password

## What Features of our fingerprint reader?

# Wiring diagram(access control ):



IN-KIND SHOOTING



## SHOW CASE



## OFFICE SHOW



## CUSTOMER



## EXHIBITION



## CERTIFICATE



## HOW TO COOPERATION



<b>Trade terms:</b>	<b>EXW</b>
<b>Payment terms:</b>	<b>T/T, Western union, Paypal etc</b>
<b>Delivery time:</b>	<b>Normal order within 7 days, bulk order 10-15days</b>
<b>Packing:</b>	<b>Neutral paper box and paper carton</b>
<b>Shipping:</b>	<b>Express company or by sea, by air or appointed by buyer</b>