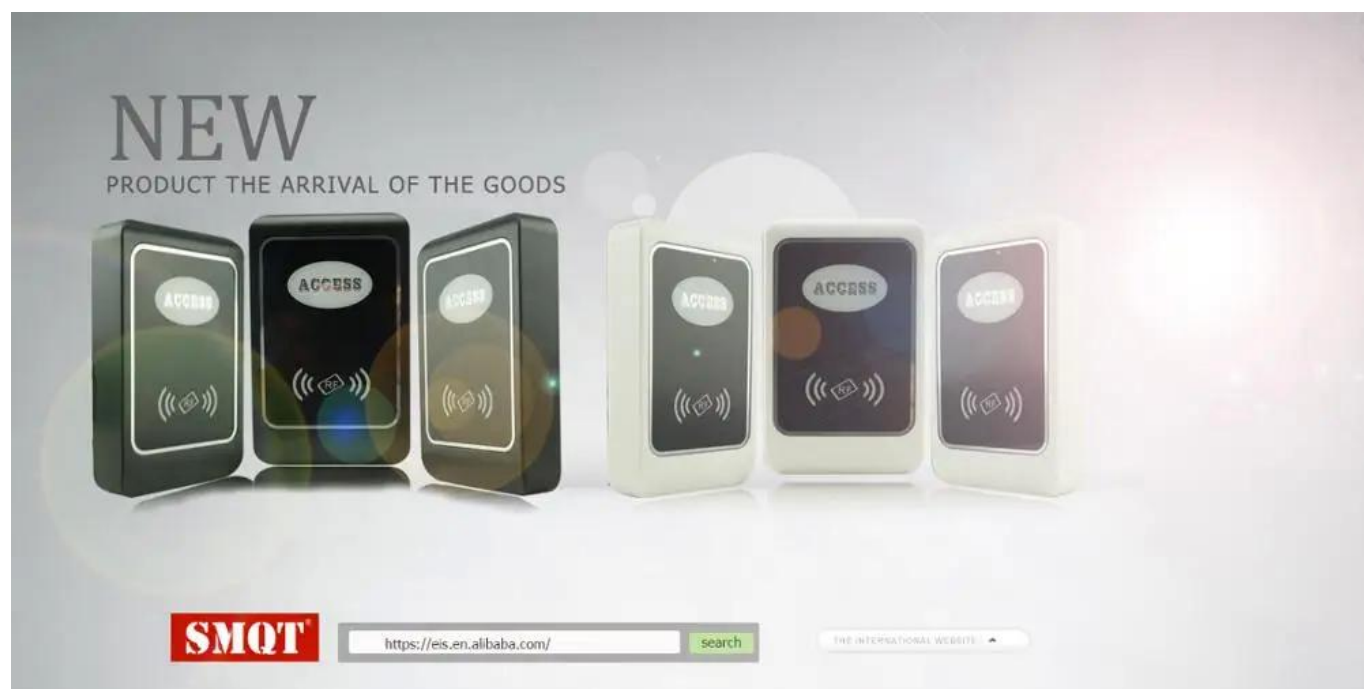


New LED Keypad RFID 125KHz/13.56MHz Standalone Single Door Access Control Keypad



Product Name:	New LED Keypad RFID 125KHz/13.56MHz Standalone Single Door Access Control Keypad
Model:	EA-81A
Size:	120mm*75mm*25mm
Card capacity:	1000(16000/32000 are customizable)
Card type:	ID(125KHz)/IC(13.56MHz)(optional)
Reading distance:	3~7cm
Reacting time:	<0.5s
Operate Voltage:	12VDC
Operate Current:	<100mA
Temperature:	-35~70degree
Color:	Black/White(optional)
Weight:	160g
OEM:	Welcome OEM and order sample for test
Warranty:	2 years

WHAT IS THE EA-81A'S FEATURE?



1.Single door standalone RFID card door access control keypad

2.IC(13.56MHz) and ID(125KHz) Card type optional

3.Support external WG26 card reader

4.1000 card capacity(16000/32000 can be customized)

5.Rainproof function

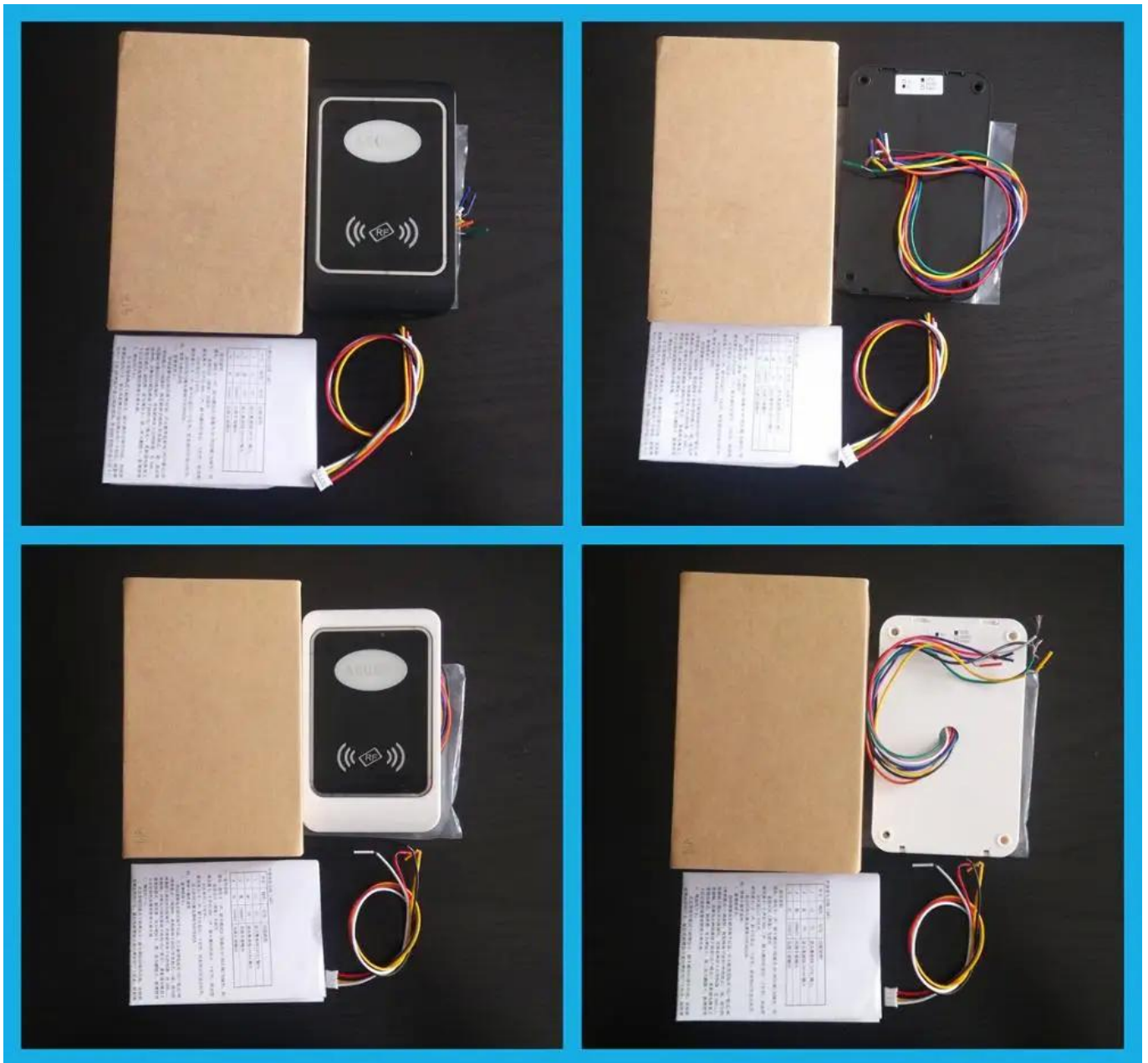
6.Card reader,door button, door sensor,lock interface

7.2 years warranty , welcome OEM

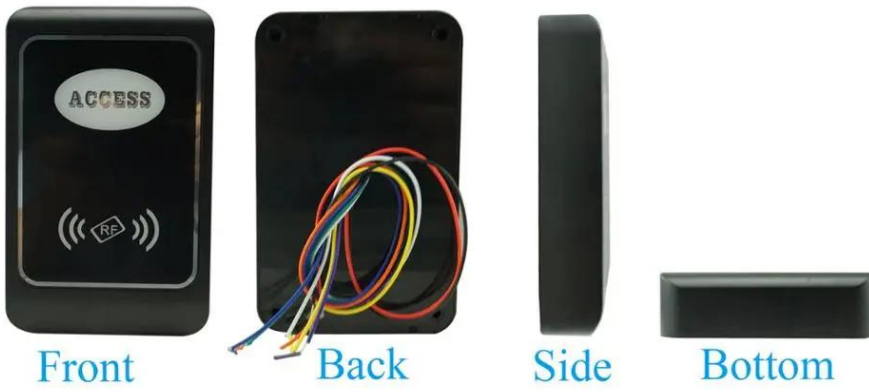
WHAT DOES THE EA-81A LOOK LIKE?



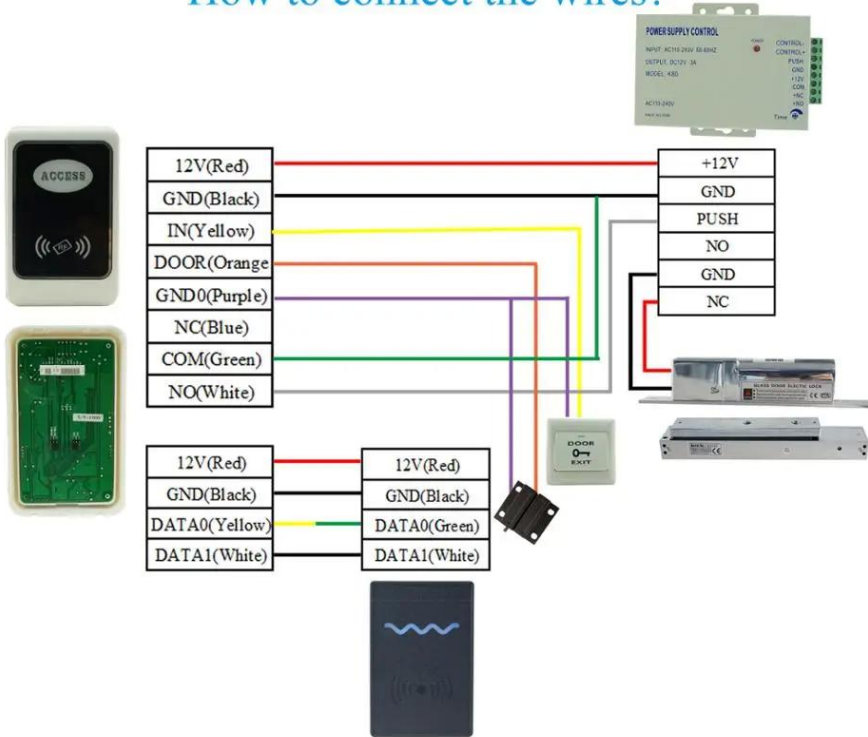
HOW ABOUT THE EA-81A'S STANDARD PACKAGE?



HOW TO USE IT?



How to connect the wires?



Where to use it?



Office, Factory, Laboratory, Dormitory etc.

HOW ABOUT OTHER CHOICE?



OFFICE SHOW



CUSTOMER



EXHIBITION

2011 Brazil Fair



2012 shen yang Fair



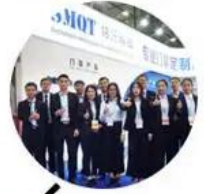
2013 Jinan Fair



2013 Shenzhen Fair



2017 Shenzhen Fair



2012 shen yang Fair



2013 shen yang Fair



2013 Shenzhen Fair



2015 Shenzhen Fair

CERTIFICATION



PACKAGING AND SHIPPING



VARIETY OF PAYMENT OPTIONS

T/T L/C
30/70 AT SIGHT/90DAY



FAQ

Q: Can I have a sample order?

A: Yes, we are willing to offer trial sample order to you for quality test. Mixed samples are acceptable.

Q: What is the lead time?

A: Sample needs 1-3 working days, mass production time needs 10-15 working days for order less than 5000pcs.

Q: Do you have any MOQ limit?

A: EXW MOQ is 100pcs under blank box.

Q: How do you ship the goods and how long does it take arrive?

A: The sample will be sent to you by optional shipping service (couriers, air, and sea). The delivery time depends on the shipping service.

Q:How will we proceed the order if I have logo to print?

A:Firstly, we will prepare artwork for visual confirmation. If the color and position are right, we would make sampling firstly from silk print factory and take picture for your second confirmation before mass production.