

RFID ID/IC standalone access control keypad for single door access manage



Size



Appearance

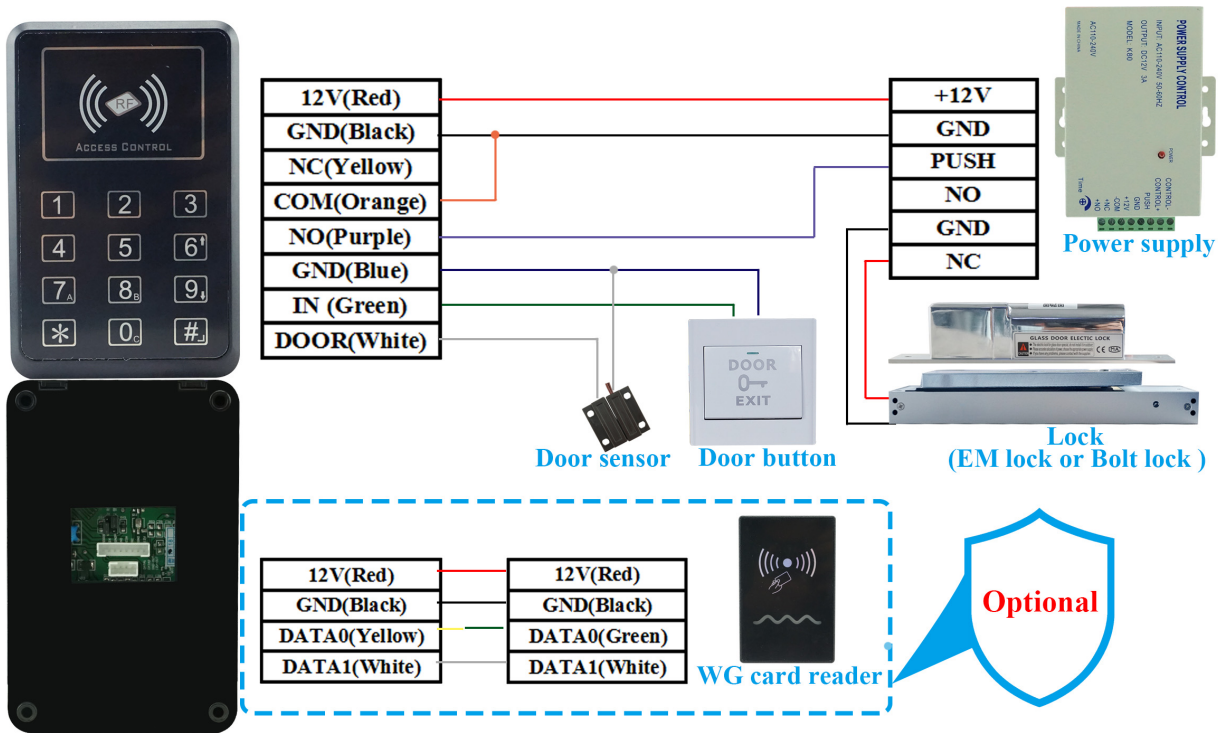


EA-81K'S MAIN PARAMETER

Product Name:	RFID ID/IC standalone access control keypad for single door access manage
Model number:	EA-81K
Working voltage:	12V DC
Working current:	<100mA

Size:	120×75×25(mm)
User capacity:	1000 user
RFID card type:	ID(125Khz)/IC(13.56Mhz)(optional)
Card reading distance:	3~7cm
Wire port:	Lock, Door button,WG card reader
Keyboard:	Touch keypad
Application:	Single door access control system
Suitable for:	Office, Apartment, hosptial access control system project
Material:	ABS frame+ PCB board
Weight:	150g
Packaging:	Neutral paper box and paper carton 1 pcs per box,100 boxes per carton
Working environment temperature:	-35°C~70°C
Working humidity:	20%~80%
Warranty:	1 years warranty
OEM:	Welcome OEM

Wire diagram



Where to use?



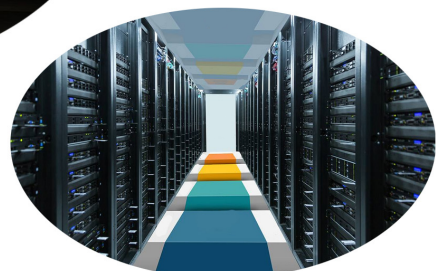
Laboratory



Archives



Indoor office



Computer room

HOW ABOUT OTHER CHOICE?

SMQT[®]
铭汗科技



SMQT[®]
铭汗科技



SMQT[®]
铭汗科技



SMQT[®]
铭汗科技



SMQT[®]
铭汗科技



SMQT[®]
铭汗科技



SMQT[®]
铭汗科技



SMQT[®]
铭汗科技



SMQT[®]
铭汗科技

