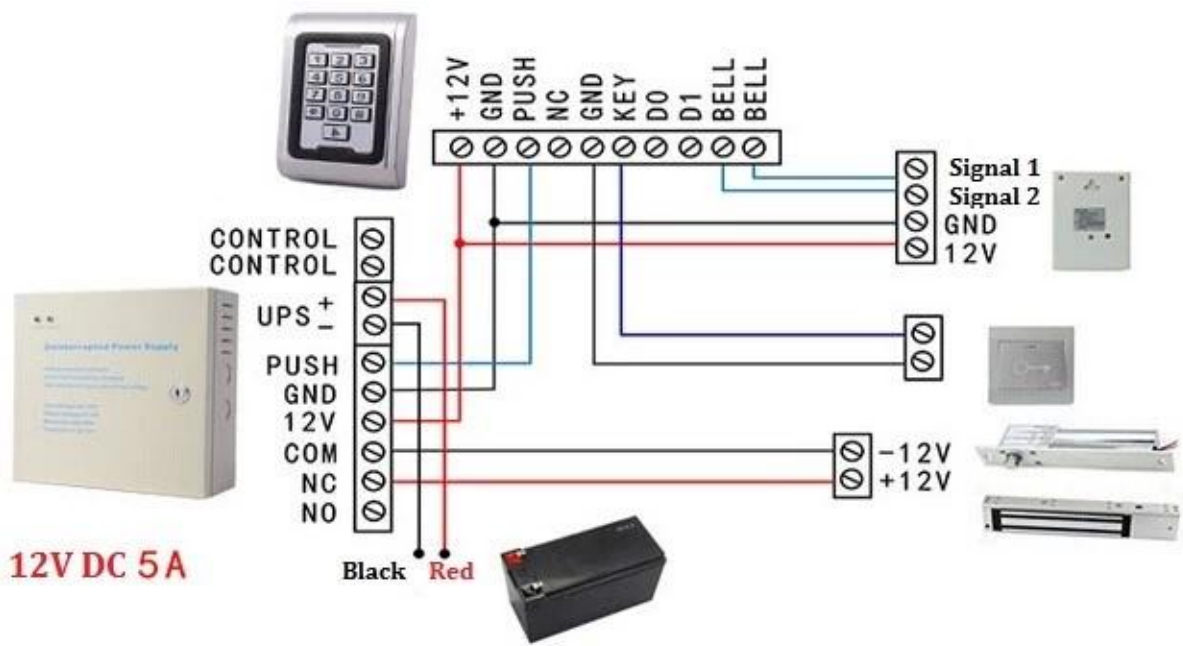




● Installations

SMOT





● Features



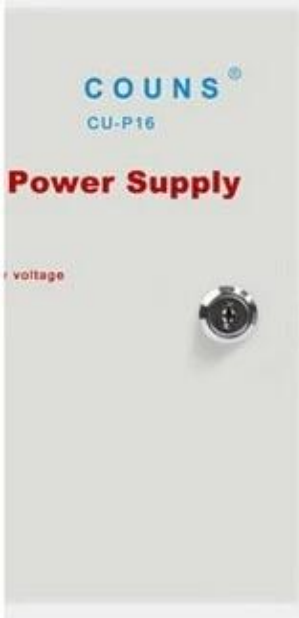
COUNS
CU-P16

Uninterrupted Power Supply

Voltage detection function
Protection function for charging
Auto disconnecting in case of low voltage

Input Voltage: AC 220V
Output Voltage: DC 12V
Maximum Load: 500K
Temperature: -20~55°C

Many years experience for access control with the complete team for reserach,production,sales and service Focus on service every clients with professional active



- With high quality component and abroad high technical finished
- Auto cut output protect for the lower power battery
- Work stable by large current
- Short Circuit Protection , charge protection

● Packing list



□□□□□	10 / □□□□□
□□□□□□□□□□□□□□□□	50.5L * * * * * * * 39.5W 33H (□□.)
□□□□□□□□□□□	28Kg

● Office





● Exhibitions



2011 Brazil Fair



2012 Shenyang Fair



2013 Jinan Fair



2013 Shenzhen Fair



2012 Shenyang Fair



2013 Shenyang Fair



2013 Shenzhen Fair



2015 Shenzhen Fair

.....