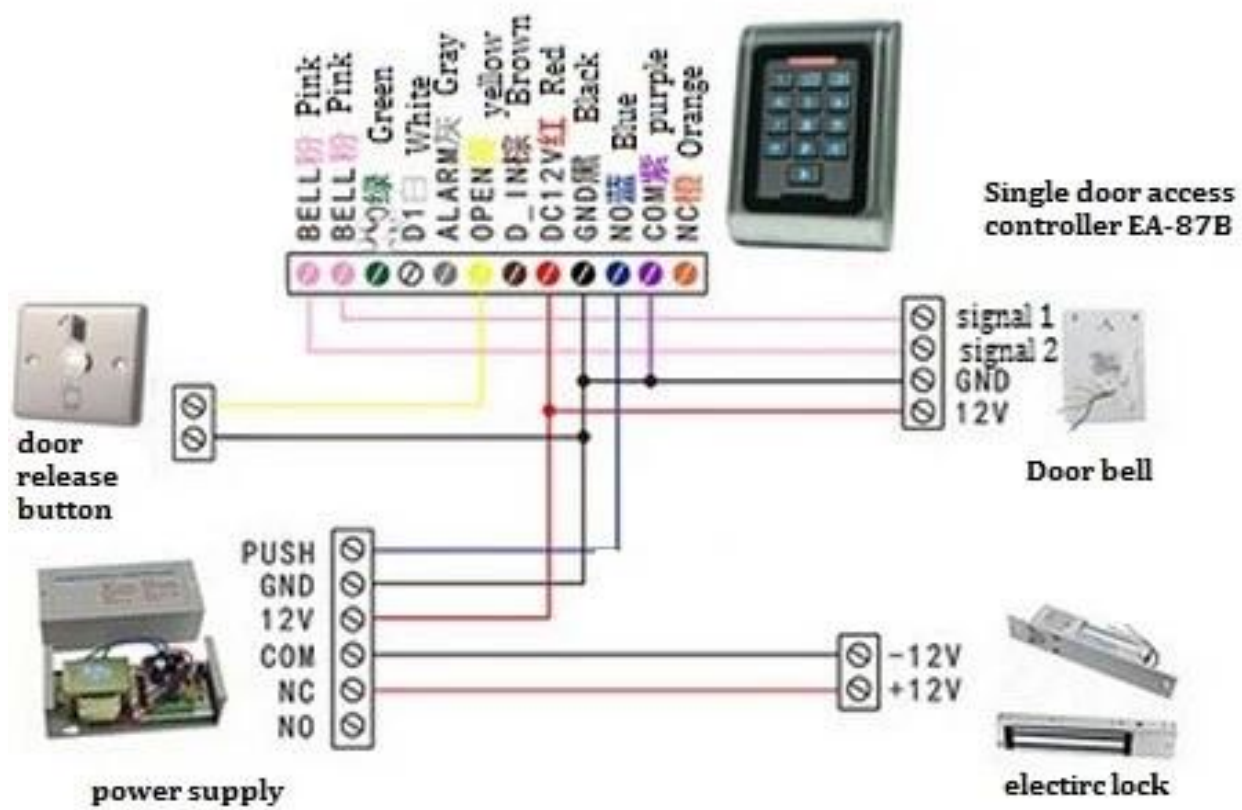


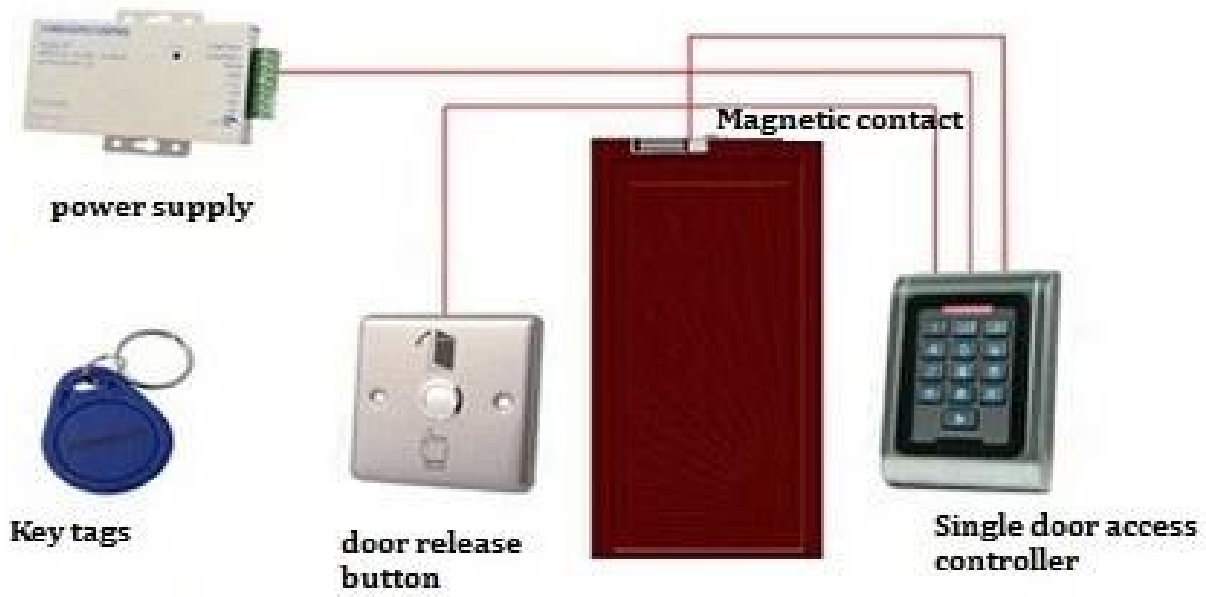
ID IC rfid  
 -  
 PC IP68

30mA  
 100us  
 0.1  
 Wiegand: Wg26 Wiegand Wg  
 Buzzer

Dimensions	120L * 80W * 22H (mm.)
Current	<60mA
Capacity	2000
IC	IC IC 5-8cm 3-6cm
Code	0 ~ 99
Material	PC / ABS / PMMA / PS / PET
Protection	IP68
Accuracy	10% ~ 90%







---

● Features

**SMQT**



---

● Packing list

**SMQT**



□□□□	22 / □□□□
□□□□□□□□□□□□□□	52L * 29W * 12H (□□.)
□□□□□□□□□□	12.32kg

● Office



● Exhibitions



2011 Brazil Fair



2012 Shenyang Fair



2013 Jinan Fair



2013 Shenzhen Fair



2012 Shenyang Fair



2013 Shenyang Fair



2013 Shenzhen Fair



2015 Shenzhen Fair



.....