

● Parameter



Operating Voltage	DC12V
Power	15W
Input Signal	ABS
Frequency	800HZ ~ 15kHz
SNR	≥82db
Sound Pressure Level	150db
Operating Temperature	-10 °C ~ 65 °C
Humidity	40% ~ 95%

● Introduction



120 DB siren. This 120 DB siren is designed for use in vehicles. It is a high-power siren that can be used for emergency services, law enforcement, and other applications. The siren is designed to be durable and reliable, and it is easy to install and use.

ABS, ABS is a safety feature that is designed to prevent the wheels from locking up during a hard brake. This helps to maintain steering control and reduce the risk of a skid or loss of control. ABS is a standard feature on most modern vehicles.

Built-in siren, Built-in siren is a feature that allows the siren to be activated automatically when the vehicle is in a certain mode, such as emergency or law enforcement.

120 DB, 120 DB is the sound pressure level of the siren, which is a measure of the loudness of the sound. A 120 DB siren is very loud and can be heard from a distance.

120 DB, 120 DB is the sound pressure level of the siren, which is a measure of the loudness of the sound. A 120 DB siren is very loud and can be heard from a distance.

115db siren, 115db siren is a high-power siren that can be used for emergency services, law enforcement, and other applications. It is designed to be durable and reliable, and it is easy to install and use. The siren is also designed to be resistant to tampering and theft.

● Dimension Picture





● Installations

SMOT

SMQT[®]



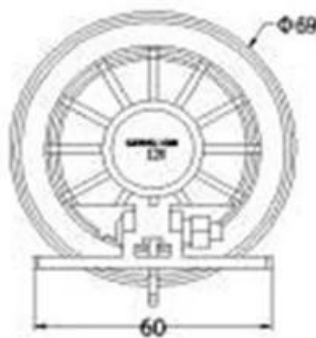
Installation Demo:

Accessories:



● Features

SMQT[®]





2011 Brazil Fair



2012 Shenyang Fair



2013 Jinan Fair



2013 Shenzhen Fair



2012 Shenyang Fair



2013 Shenyang Fair



2013 Shenzhen Fair



2015 Shenzhen Fair

.....